

Potomac 10A+/AG+

CS BUILD

2008.02.22

INVENTEC

TITLE
Potomac10A+/AG+

SIZE	CODE	DOC. NUMBER	REV
A3	CS	1310A2172301	A01

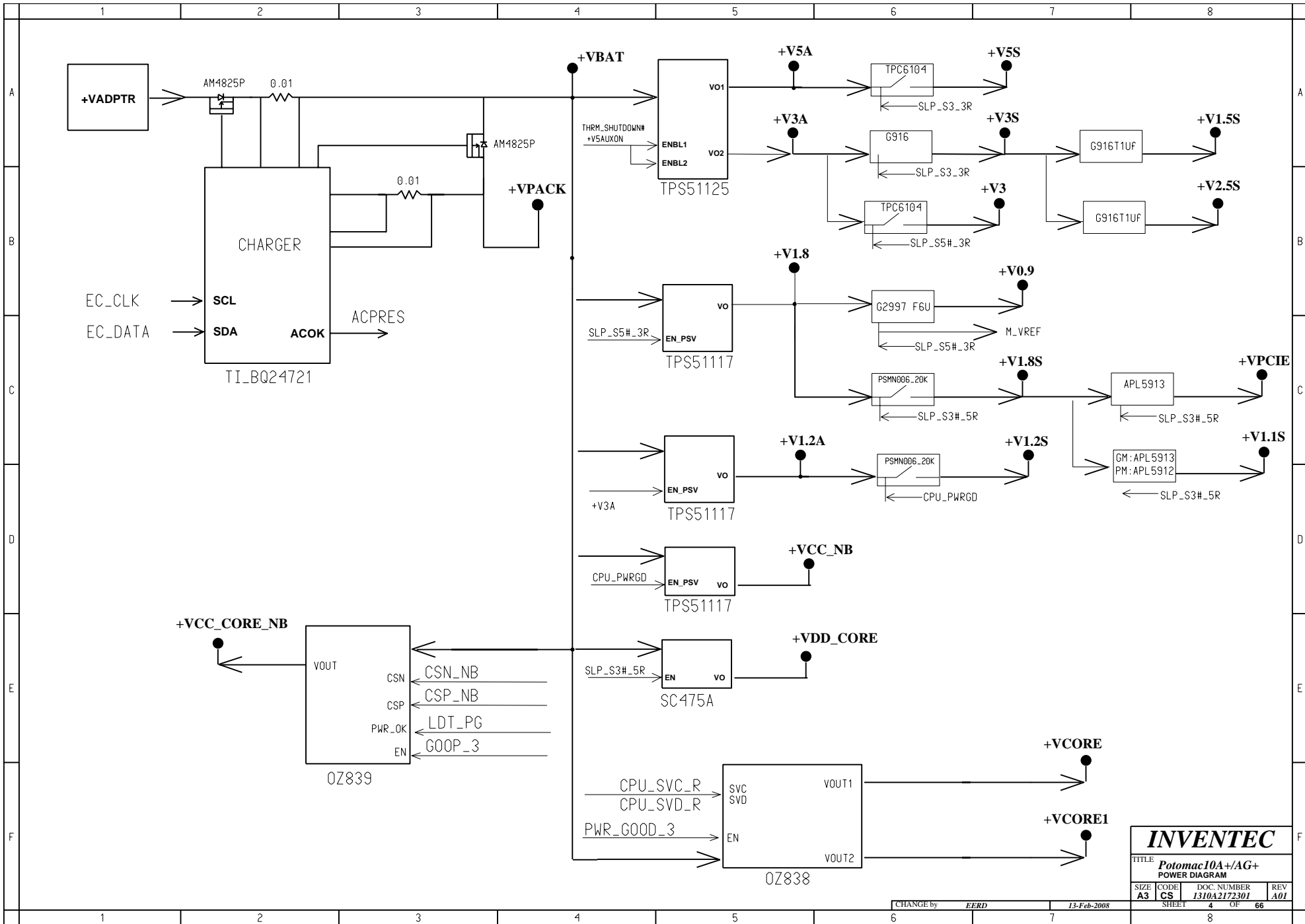
CHANGE by *EERD* 22-Feb-2008

SHEET 1 OF 66

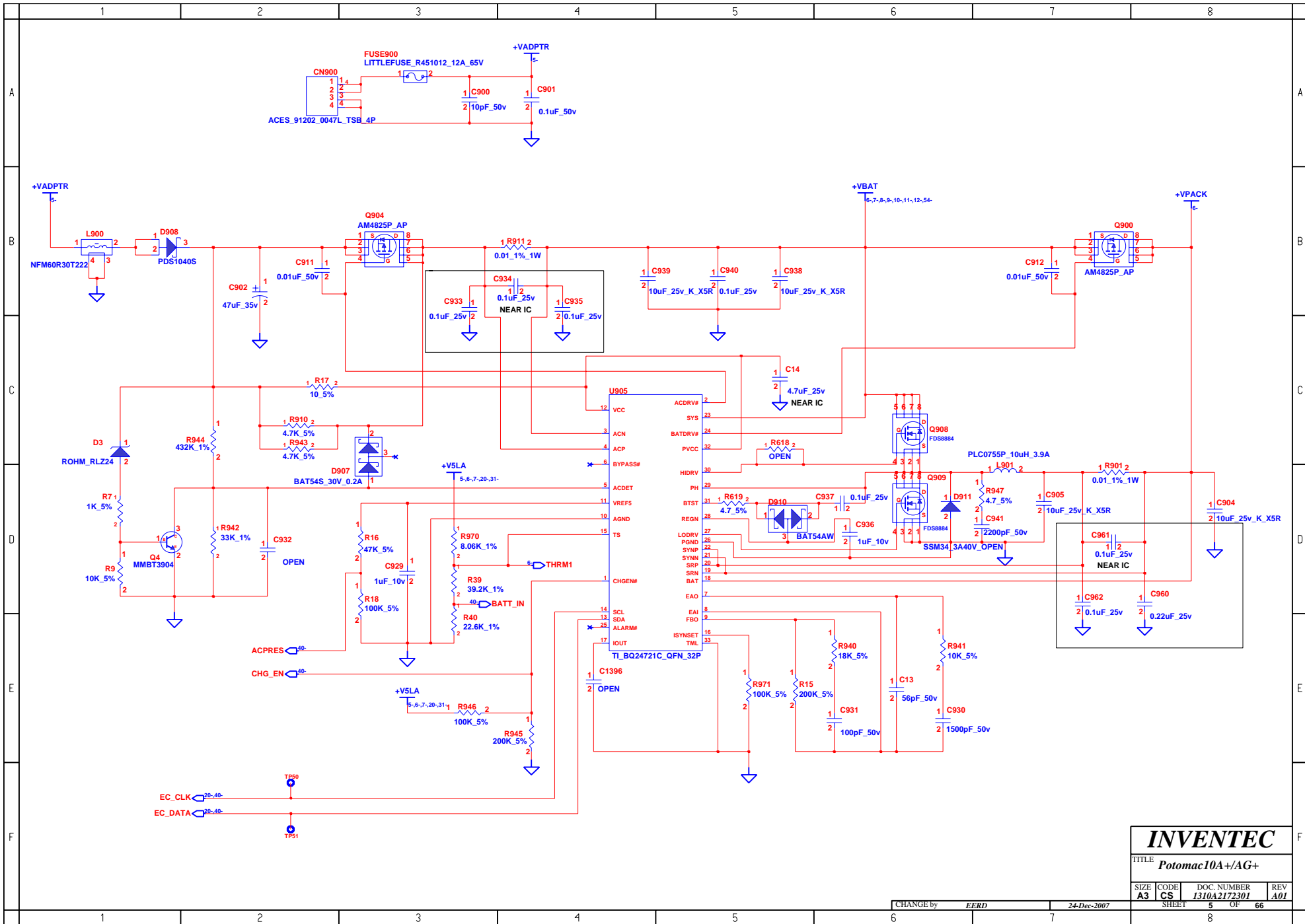
TABLE OF CONTENTS

PAGE		PAGE	
1.	COVER PAGE	37.	USB CONN & E-SATA
2.	INDEX	38.	FINGERPRINT & CAMERA & FELICA CONN
3.	BLOCK DIAGRAM	39.	BLUE TOOTH
4.	POWER SEQUENCE BLOCK	40.	SUPER I/O(KBC)
5-14	SYSTEM POWER	41.	K/B & TP/B CONN
15.	CLOCK GENERATOR	42.	AUDIO CODEC
16.	CPU 1	43.	AUDIO AMP
17.	CPU 2	44.	SPDIF & MIC & HP
18.	CPU 3	45.	LAN
19.	CPU 4	46.	RJ45 & TRANSFORMER
20.	FAN & THERMAL CONTROLLER	47.	HYPER FLASH CONNECTOR
21.	N/B 1	48.	MEM CARD & 1394 CONTROLLOR
22.	N/B 2	49.	MEM CARD READER & 1394 CONN
23.	N/B 3	50.	EXPRESS CARD CONN
24.	N/B 4	51.	WLAN & HD-DVD
25.	DDR2 DIMM0	52.	MDC
26.	DDR2 DIMM1	53.	LED
27.	DDR DAMPING	54.	FOR EMI AND TOUCH PAD BOARD
28.	RGB CONN	55.	KILL SW & LED SW & SCREW
29.	S-VIDEO CONN & CEC	56.	GPU-1
30.	LCM	57.	GPU-2
31.	HDMI CONN	58.	GPU-3
32.	S/B 1	59.	GPU-4
33.	S/B 2	60.	GPU-5
34.	S/B 3	61.	VRAM_DDR2-1
35.	S/B 4	62.	VRAM_DDR2-2
36.	SATA HDD & ODD	63.	VRAM_DDR2-3
		64.	VRAM_DDR2-4
		65-66	Small Board

INVENTEC			
TITLE <i>Potomac10A+/AG+</i>			
INDEX			
SIZE A3	CODE CS	DOC. NUMBER <i>1310A2172301</i>	REV <i>A01</i>
CHANGE by <i>EERD</i>		<i>24-Dec-2007</i>	
SHEET		OF	
2		66	
8			



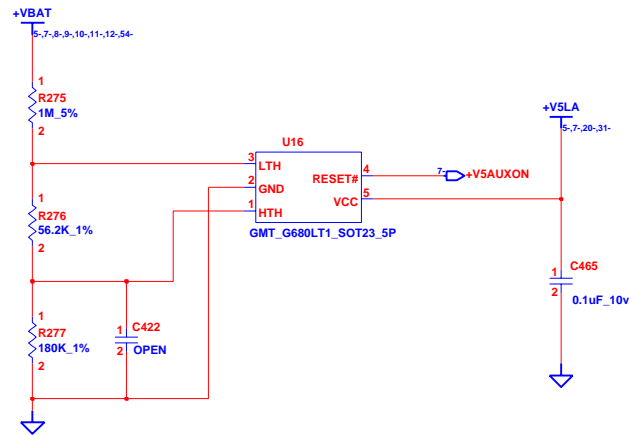
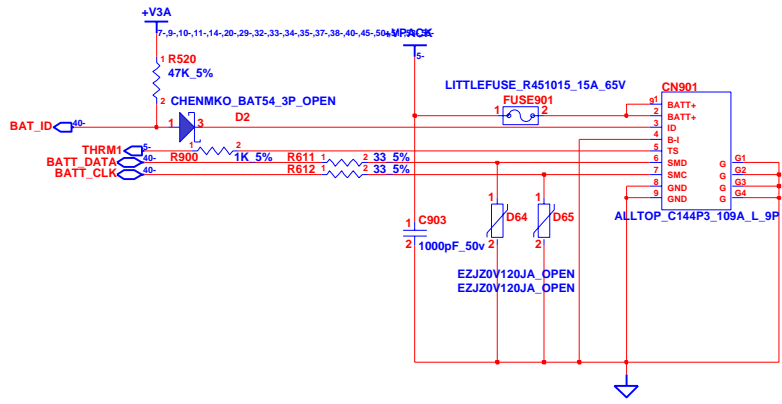
INVENTEC			
TITLE Potomac10A+/AG+ POWER DIAGRAM			
SIZE A3	CODE CS	DOC NUMBER 1310A217301	REV A01
CHANGE by EERD		13-Feb-2008	
SHEET 4		OF 66	



INVENTEC

TITLE
Potomac10A+/AG+

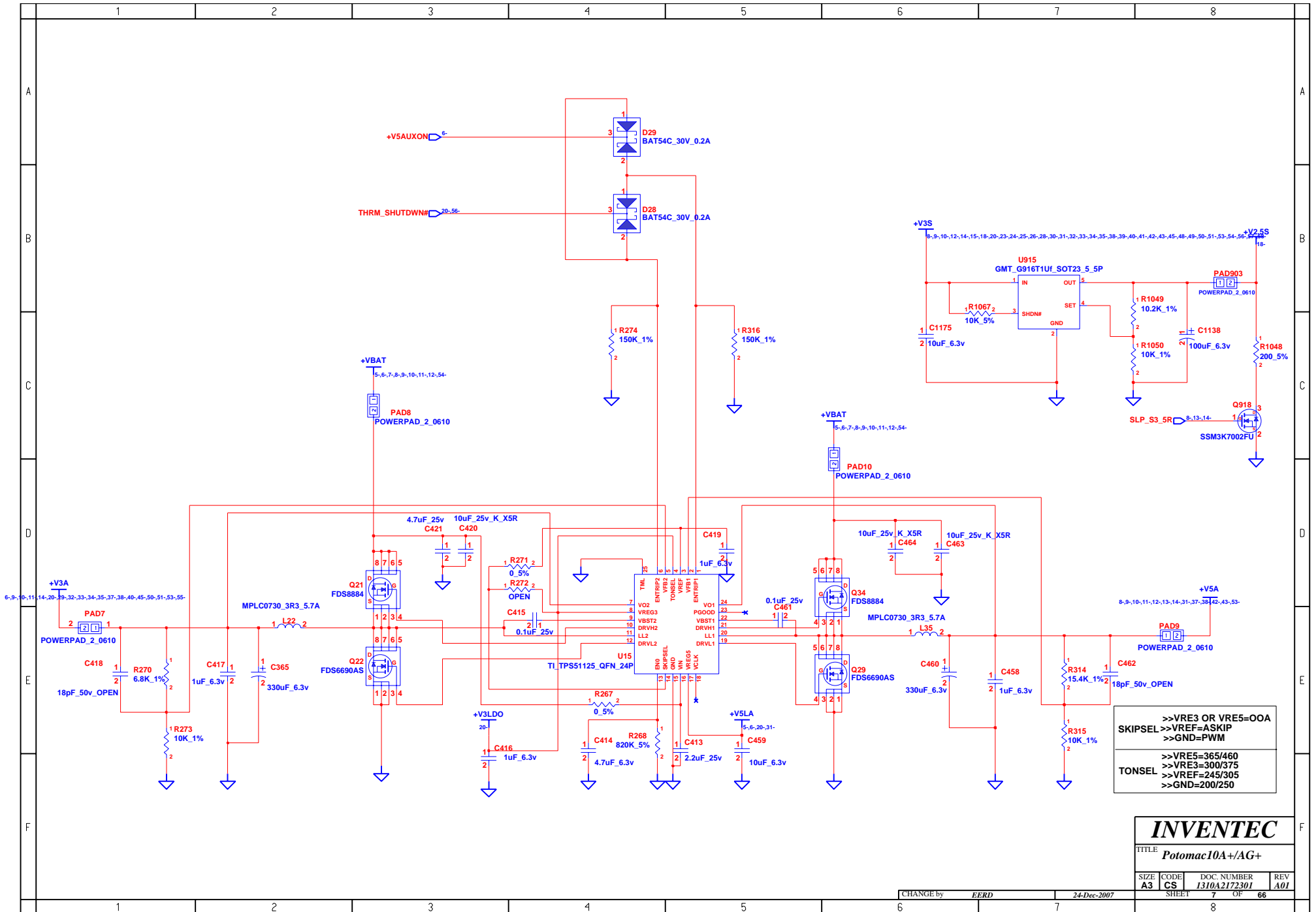
SIZE	CODE	DOC. NUMBER	REV
A3	CS	1310A217301	A01



INVENTEC

TITLE **Potomac10A+/-AG+**

SIZE	CODE	DOC. NUMBER	REV
A3	CS	1310A2172301	A01

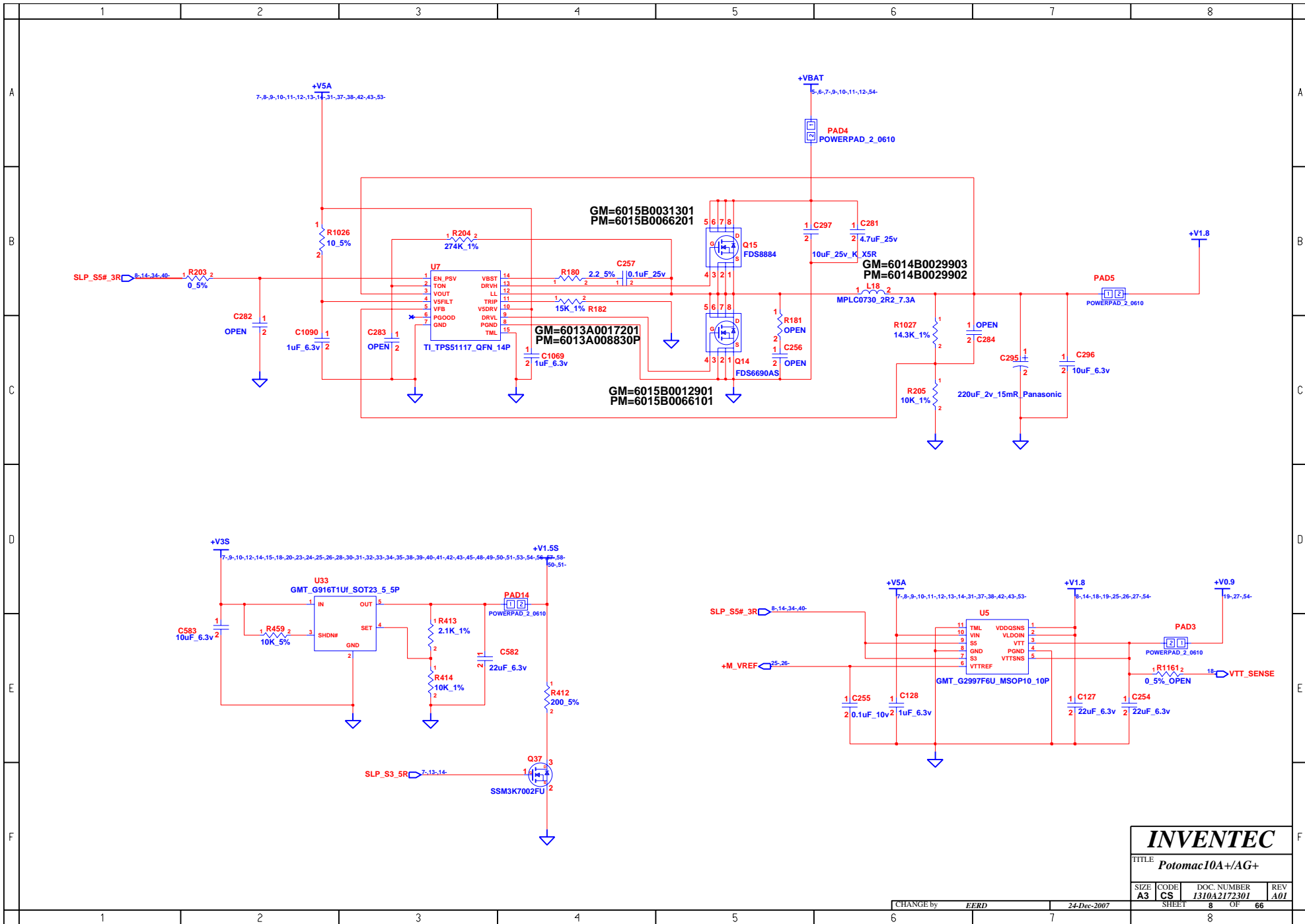


>>VRE3 OR VRE5=OOA
 SKIPSEL>>VREF=ASKIP
 >>GND=PWM
 >>VRE5=365/460
 >>VRE3=300/375
 TONSEL >>VREF=245/305
 >>GND=200/250

INVENTEC

TITLE
Potomac10A+/AG+

SIZE A3	CODE CS	DOC. NUMBER 1310A2172301	REV A01
-------------------	-------------------	------------------------------------	-------------------

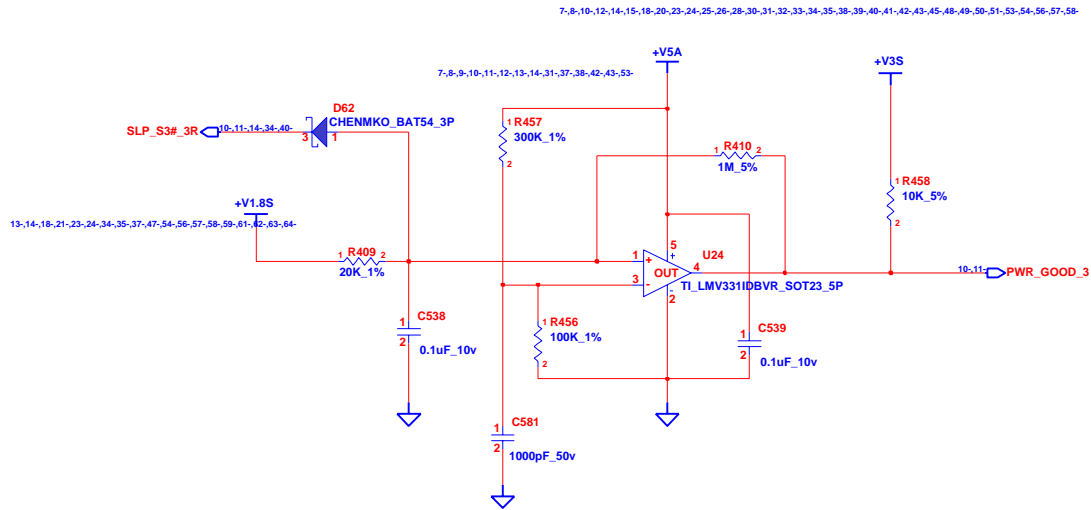
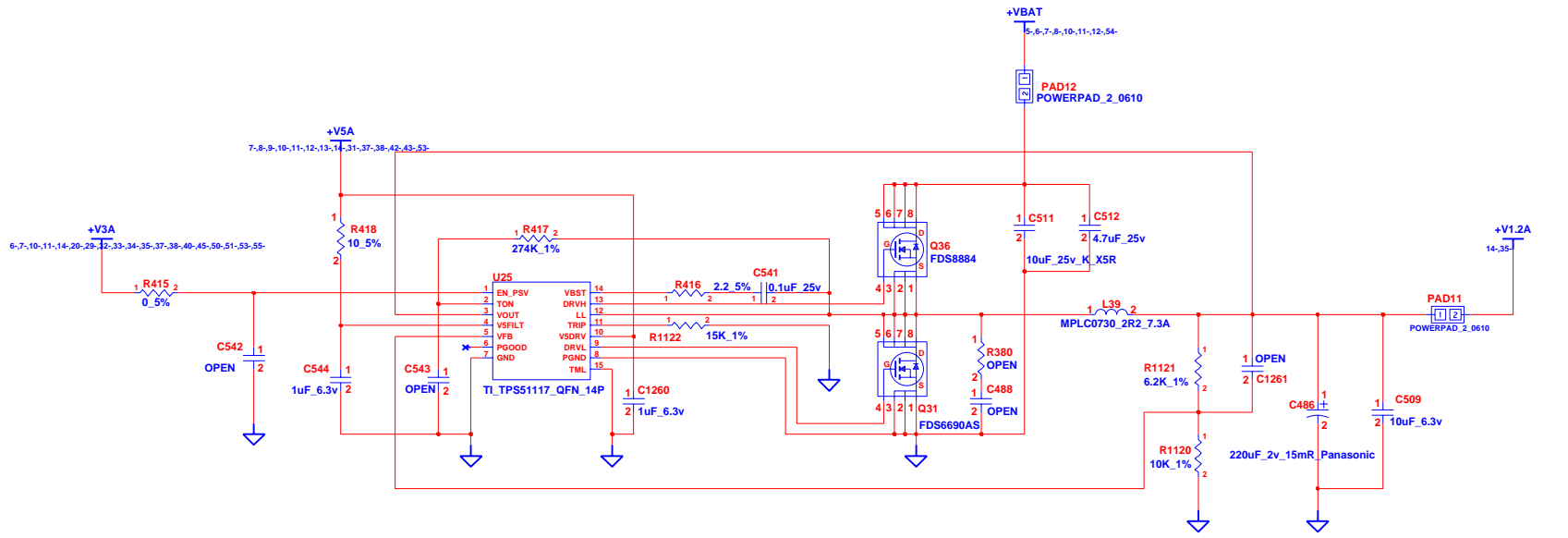


INVENTEC

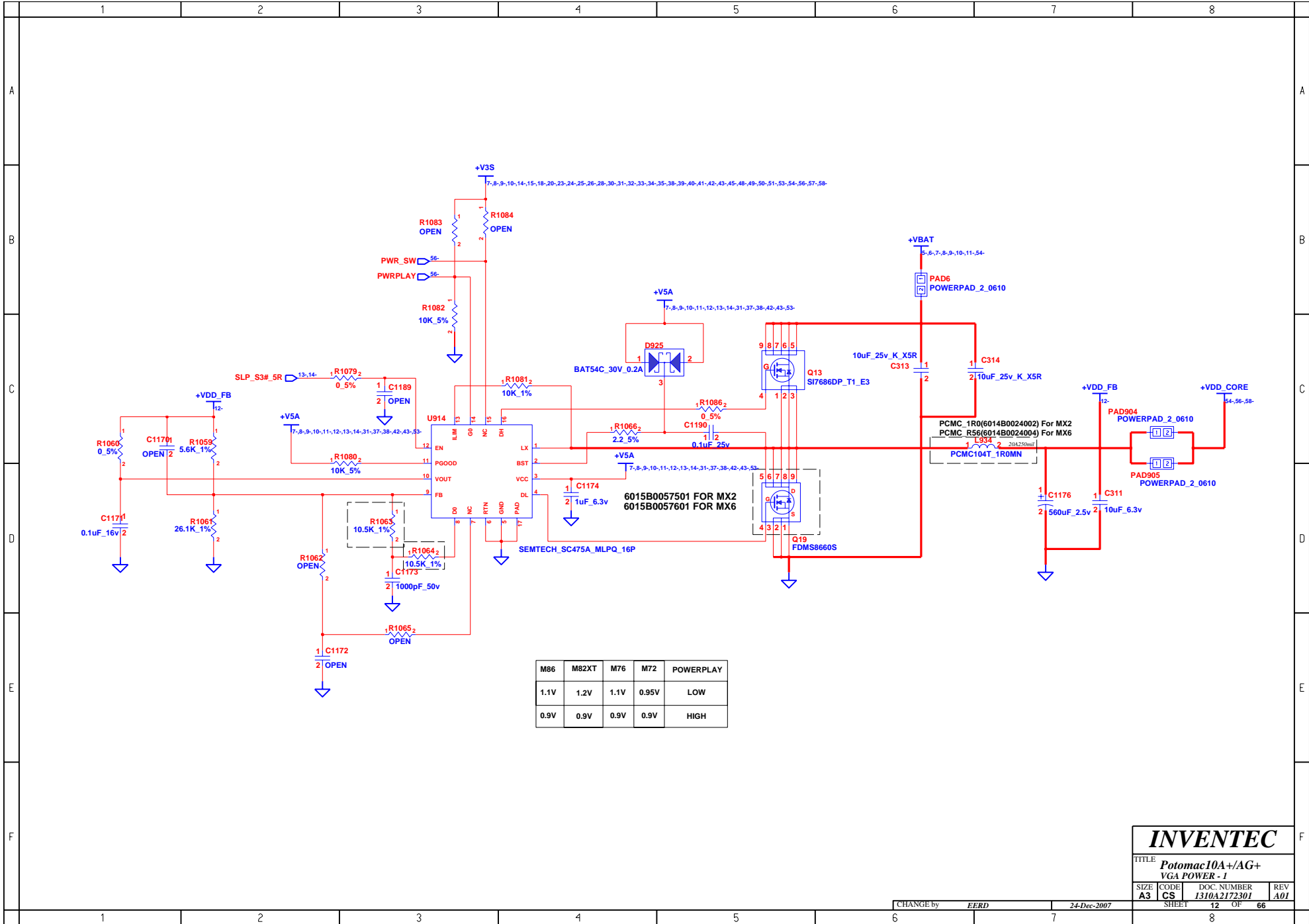
TITLE
Potomac10A+/AG+

SIZE	CODE	DOC. NUMBER	REV
A3	CS	1310A217301	A01

CHANGE by EERD 24-Dec-2007



INVENTEC			
TITLE Potomac10A+/AG+			
SIZE A3	CODE CS	DOC. NUMBER 1310A217301	REV A01
CHANGE by EERD		24-Dec-2007	
SHEET 9		OF 66	

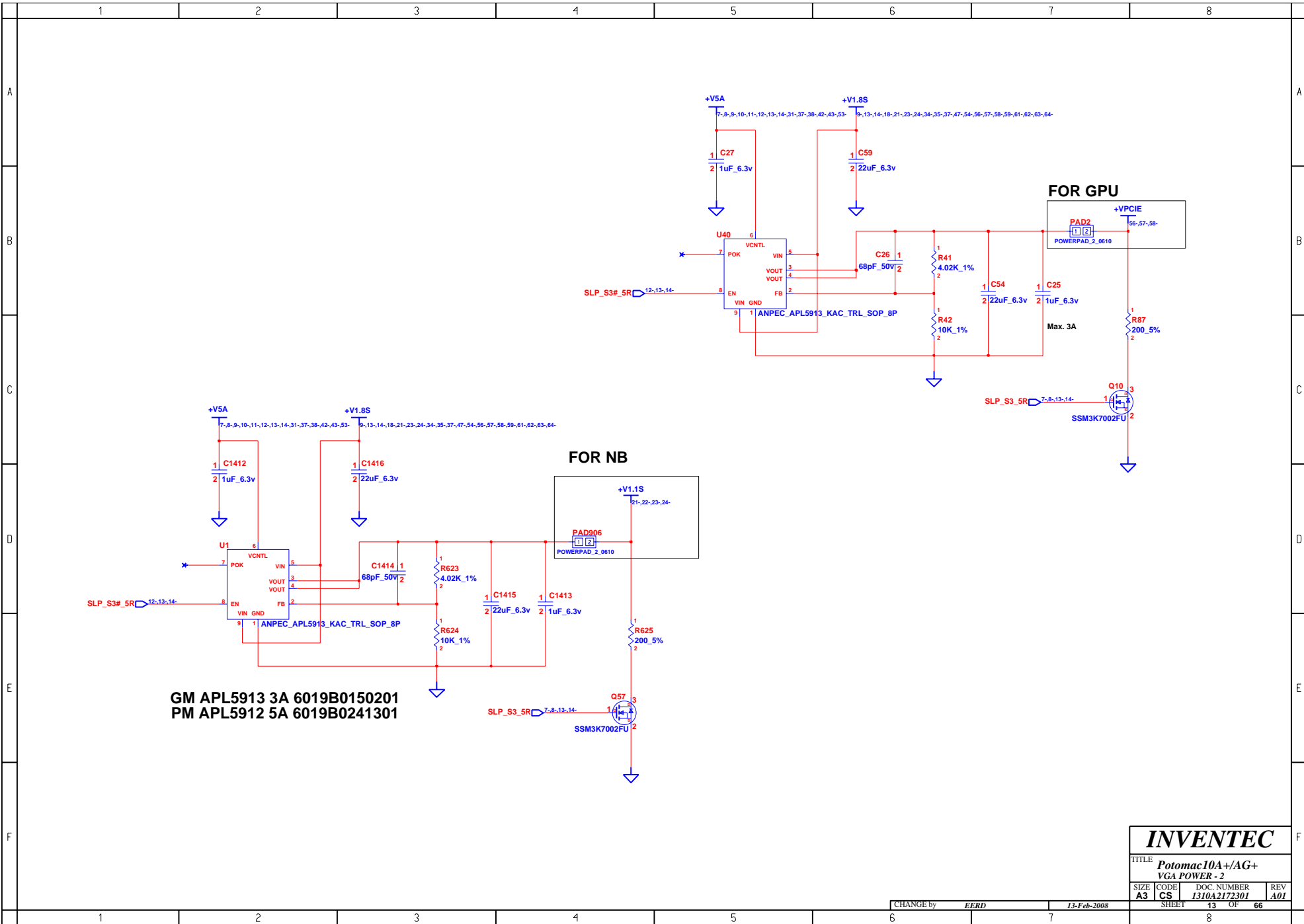


M86	M82XT	M76	M72	POWERPLAY
1.1V	1.2V	1.1V	0.95V	LOW
0.9V	0.9V	0.9V	0.9V	HIGH

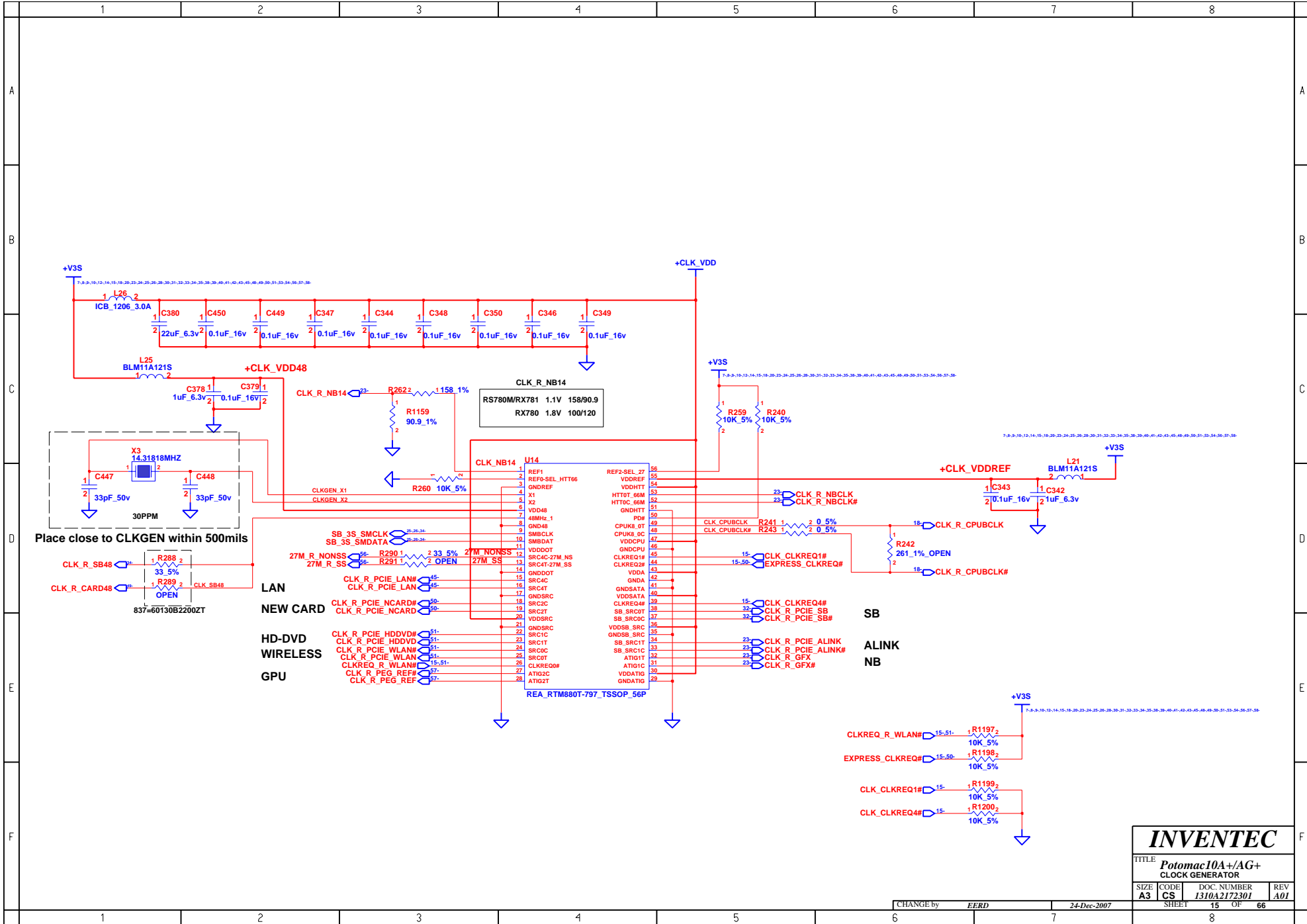
INVENTEC

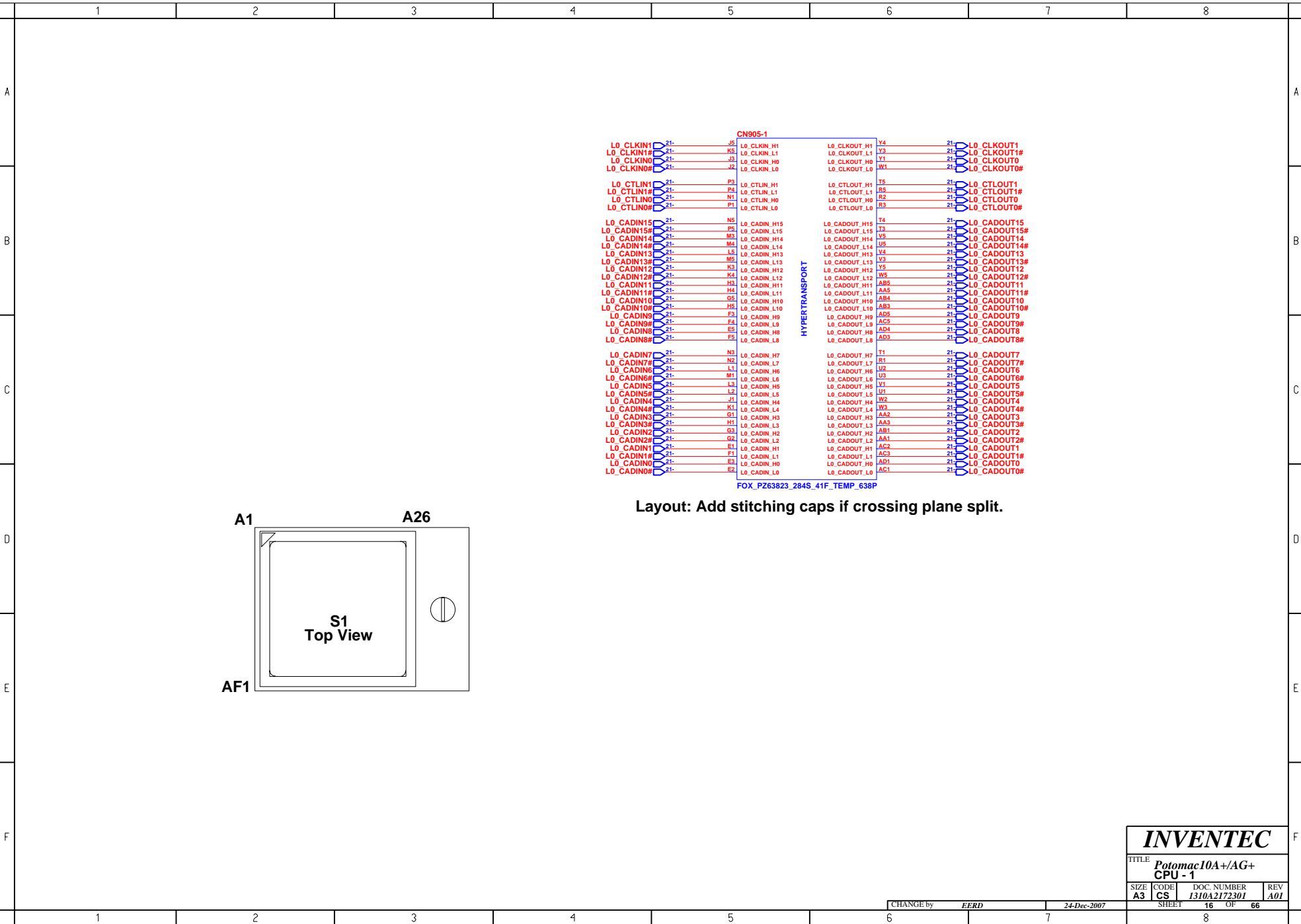
TITLE
Potomac10A+/AG+
 VGA POWER - 1

SIZE	CODE	DOC. NUMBER	REV
A3	CS	1310A2172301	A01

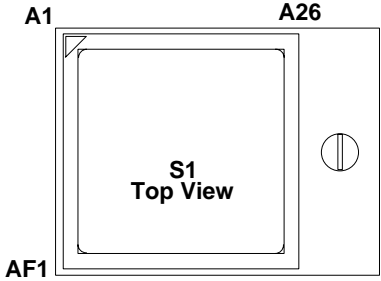


INVENTEC			
TITLE Potomac10A+/AG+ VGA POWER - 2			
SIZE A3	CODE CS	DOC. NUMBER 1310A2172301	REV A01
CHANGE by EERD		13-Feb-2008	
SHEET 13		OF 66	

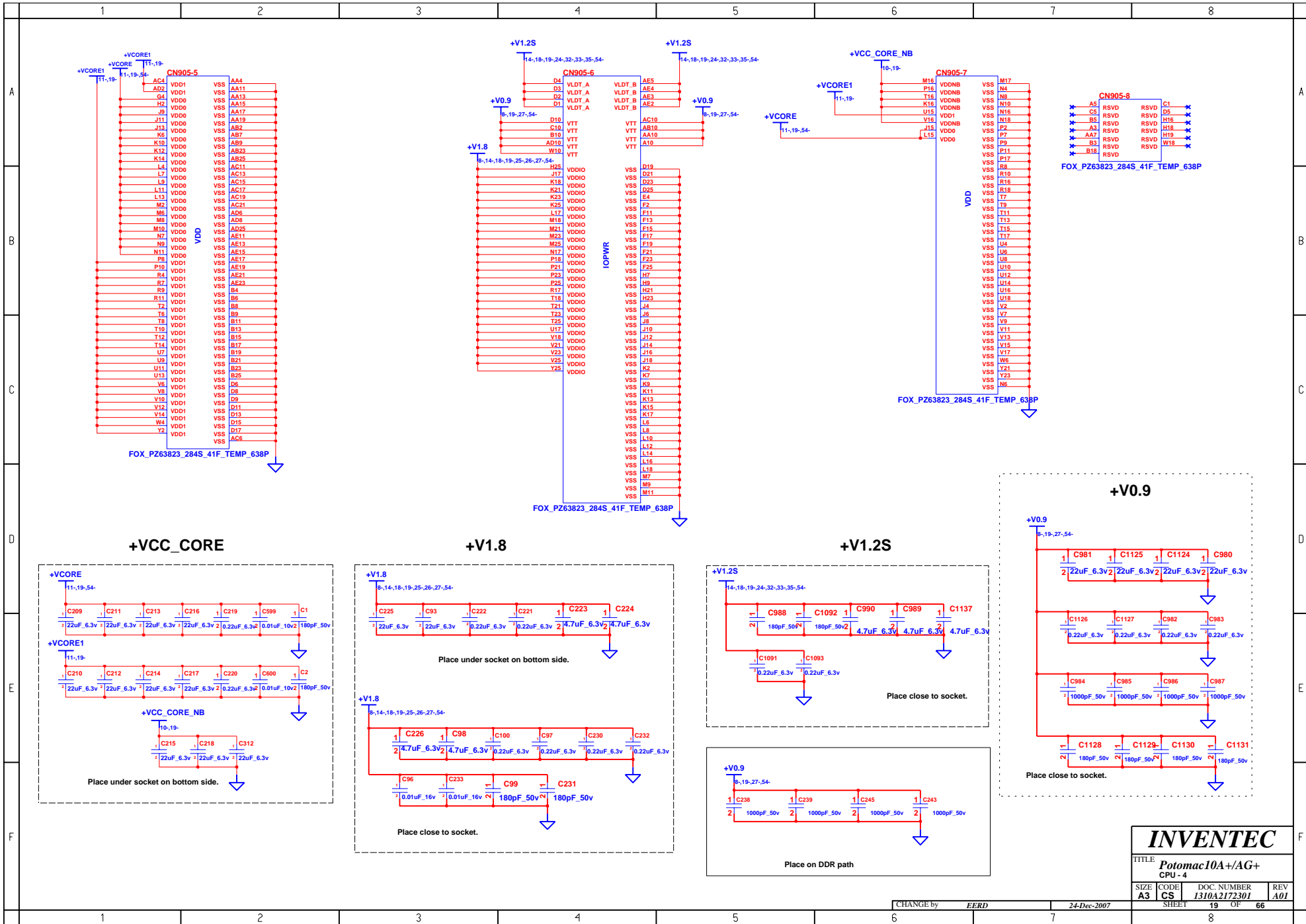




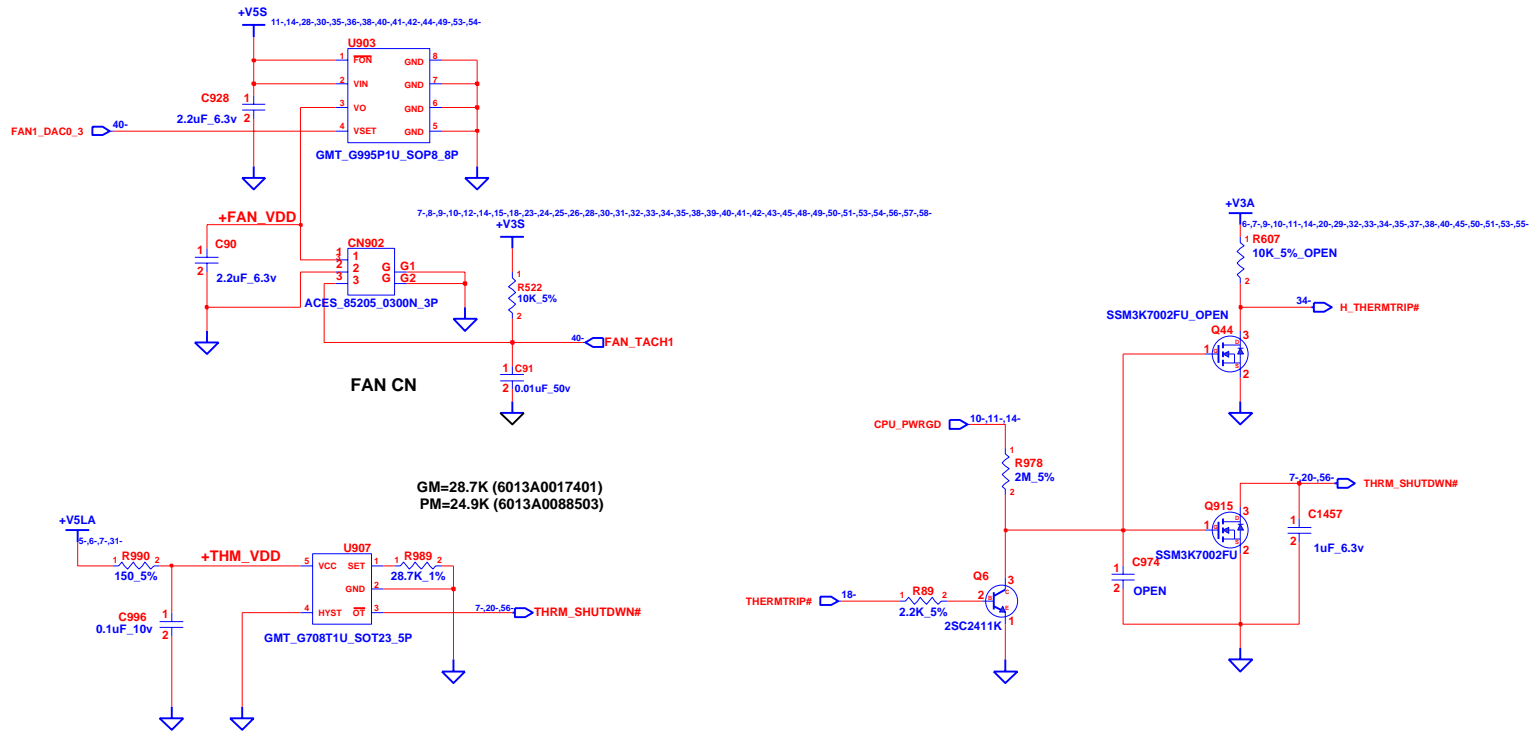
Layout: Add stitching caps if crossing plane split.



INVENTEC			
TITLE Potomac10A+/AG+ CPU - 1			
SIZE A3	CODE CS	DOC. NUMBER 1310A217301	REV A01
CHANGE by EERD		24-Dec-2007	
		SHEET 16	OF 66



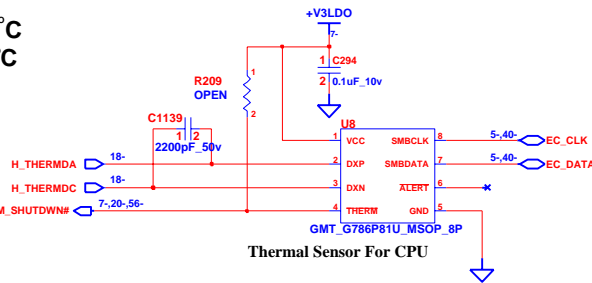
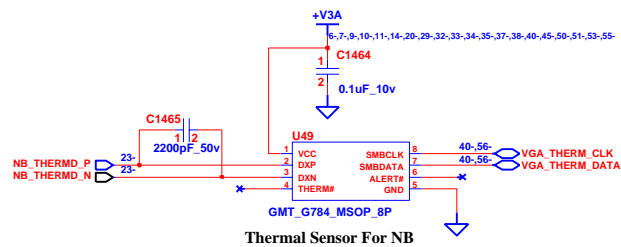
INVENTEC			
TITLE Potomac10A+/AG+			
CPU - 4			
SIZE A3	CODE CS	DOC. NUMBER 1310A217301	REV A01
CHANGE by EERD		24-Dec-2007	
SHEET 19		OF 66	



GM Thermal shutdown at 80.8°C +/-3°C from 60°C to 100°C
PM Thermal shutdown at 86°C +/-3°C from 60°C to 100°C

$$RSET = 0.0012 * T^2 - 0.9308 * T + 96.147$$

Hysteresis is 30C

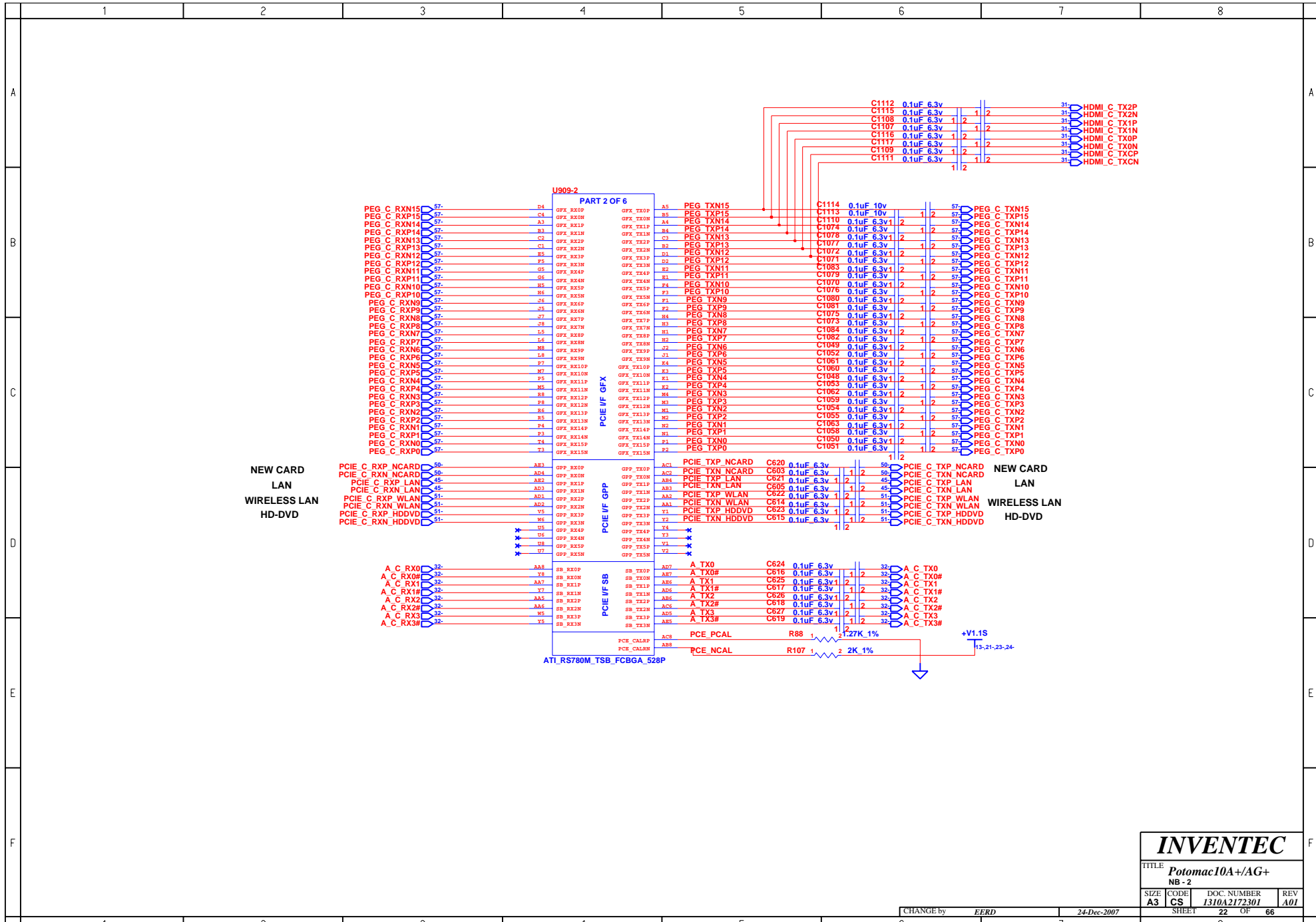


INVENTEC

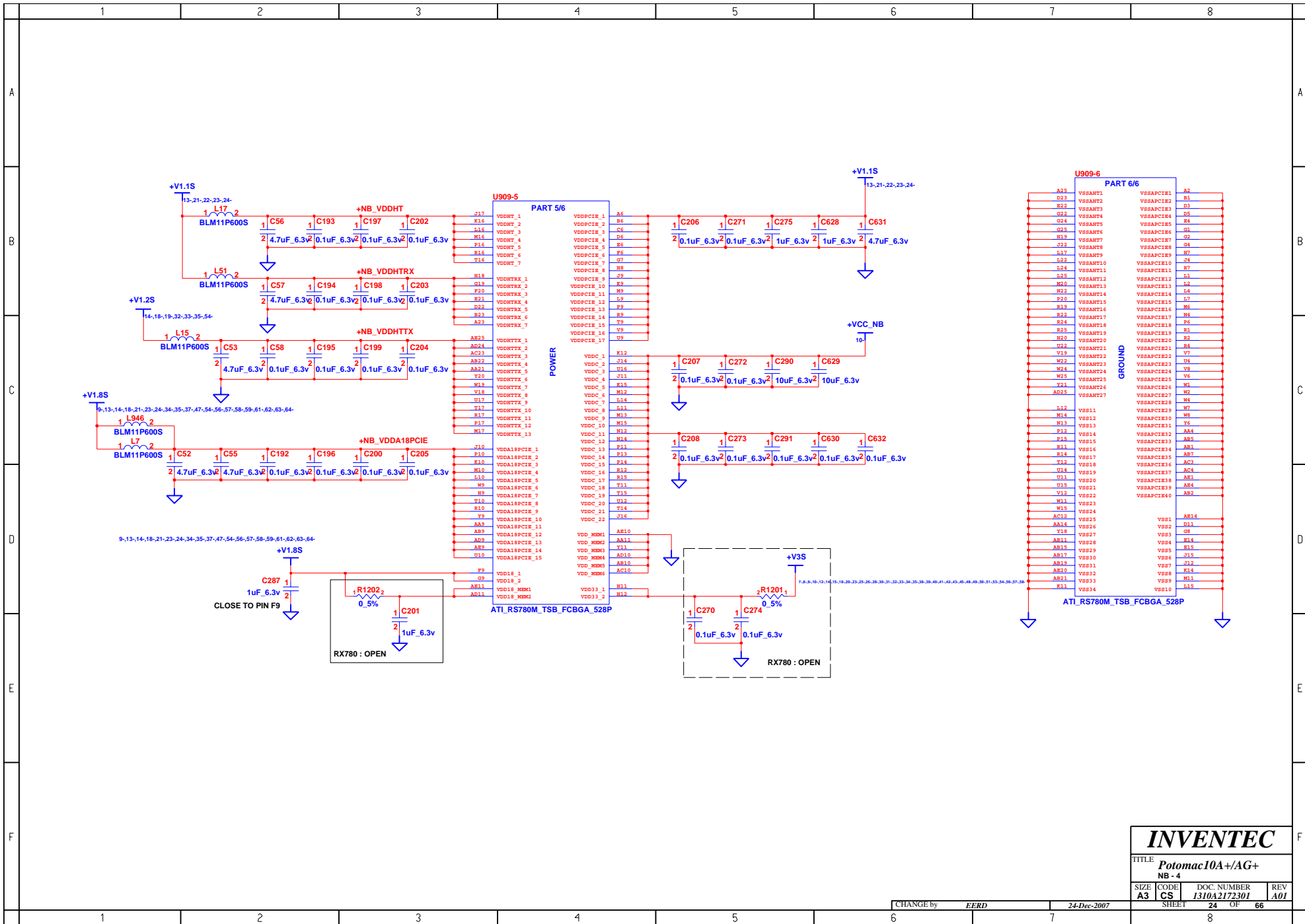
TITLE
Potomac10A+/AG+
 THERMAL

SIZE	CODE	DOC. NUMBER	REV
A3	CS	I310A217301	A01

CHANGE by	EERD	24-Dec-2007	SHEET	20	OF	66
-----------	------	-------------	-------	----	----	----



INVENTEC			
TITLE Potomac10A+/AG+			
NB - 2			
SIZE A3	CODE CS	DOC. NUMBER 1310A2172301	REV A01
CHANGE by EERD		24-Dec-2007	
SHEET 22		OF 66	



INVENTEC

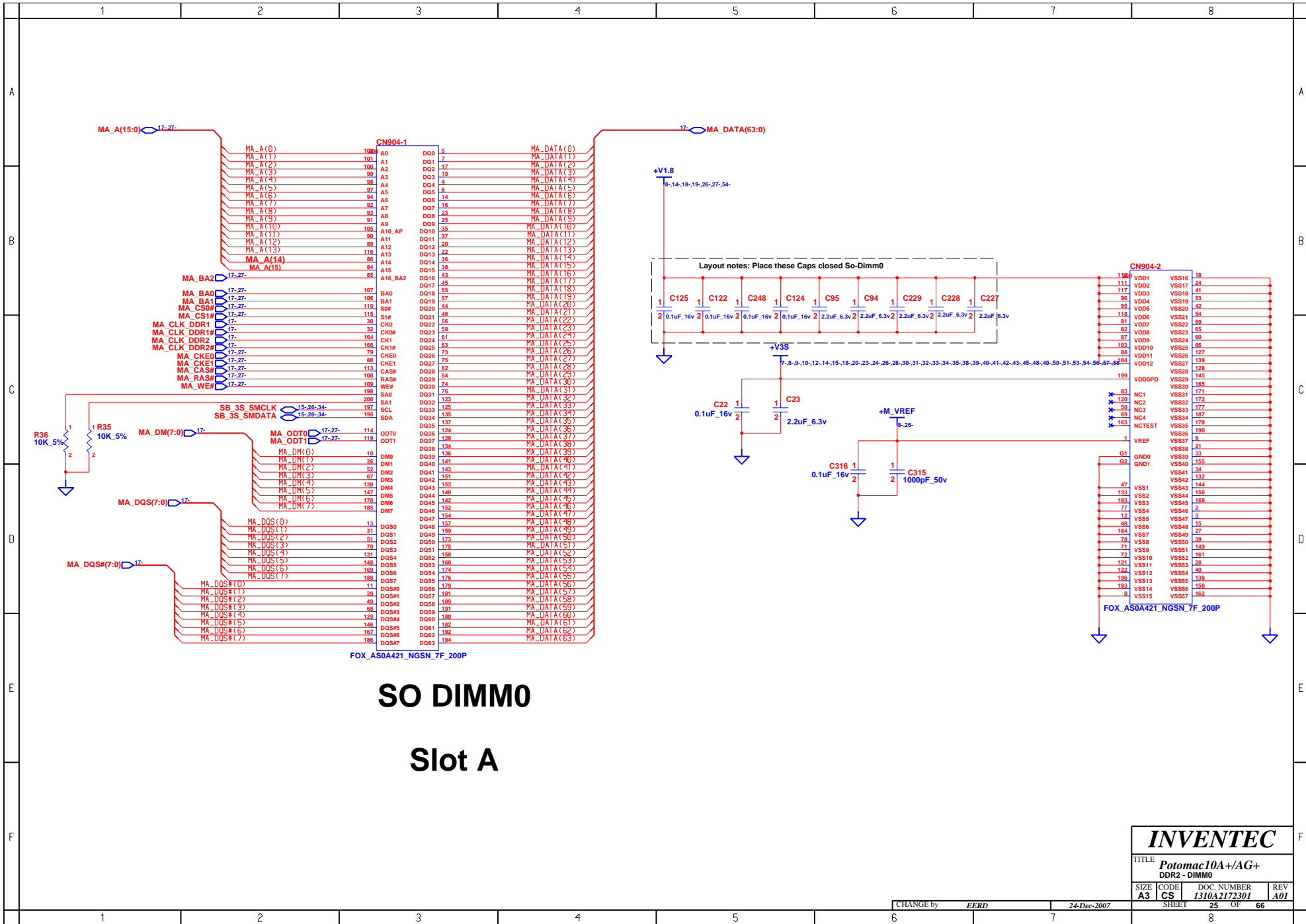
TITLE **Potomac10A+/AG+**

NB - 4

SIZE	CODE	DOC. NUMBER	REV
A3	CS	1310A2172301	A01

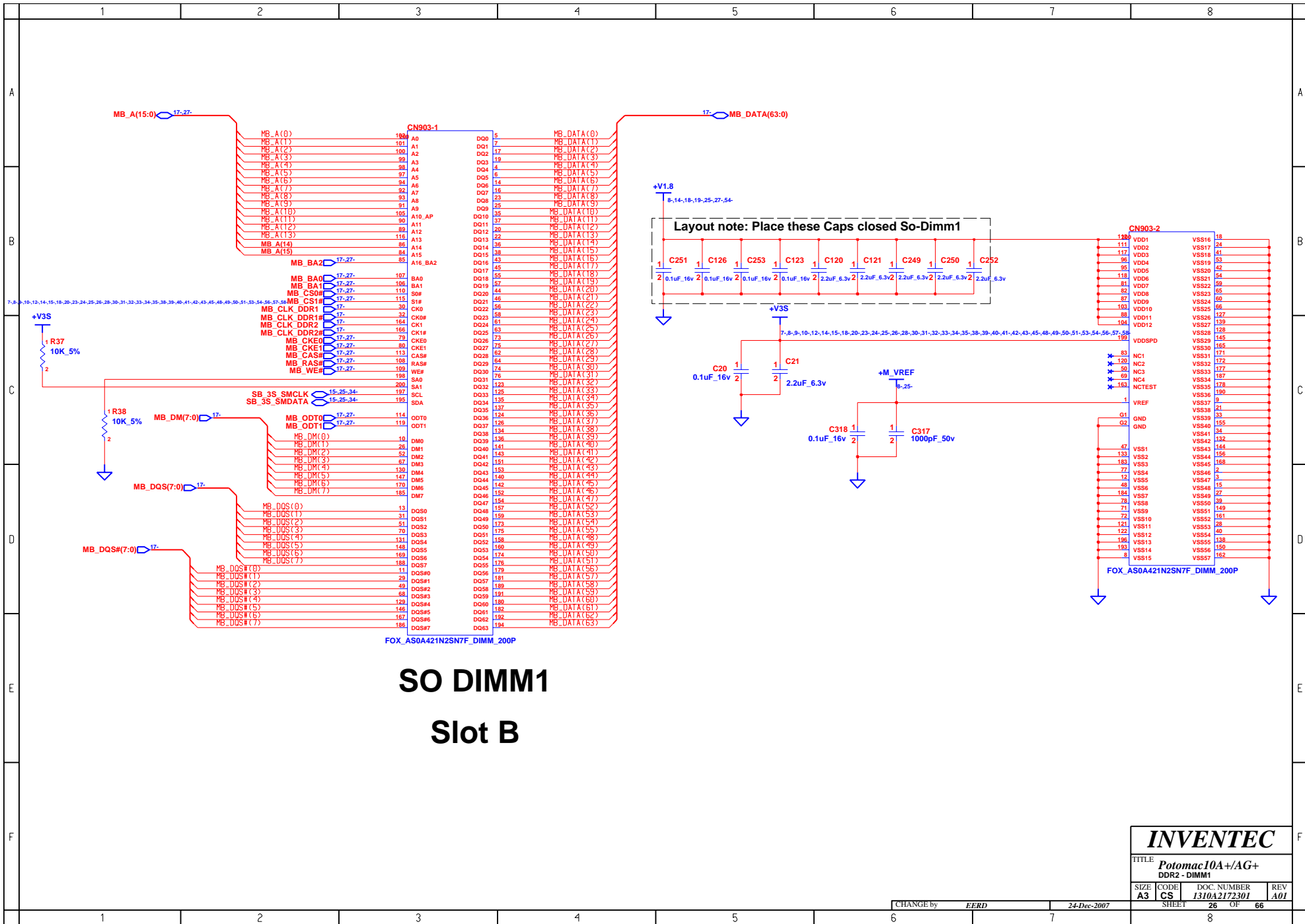
SHEET 24 OF 66

CHANGE by EERD 24-Dec-2007



**SO DIMM0
Slot A**

INVENTEC			
TITLE Potomac10A+/AG+ DDR2 - DIMM0			
SIZE A3	CODE CS	DOC. NUMBER I310A217301	REV A01
CHANGE by EERD		24-Dec-2007	
SHEET 25		OF 66	

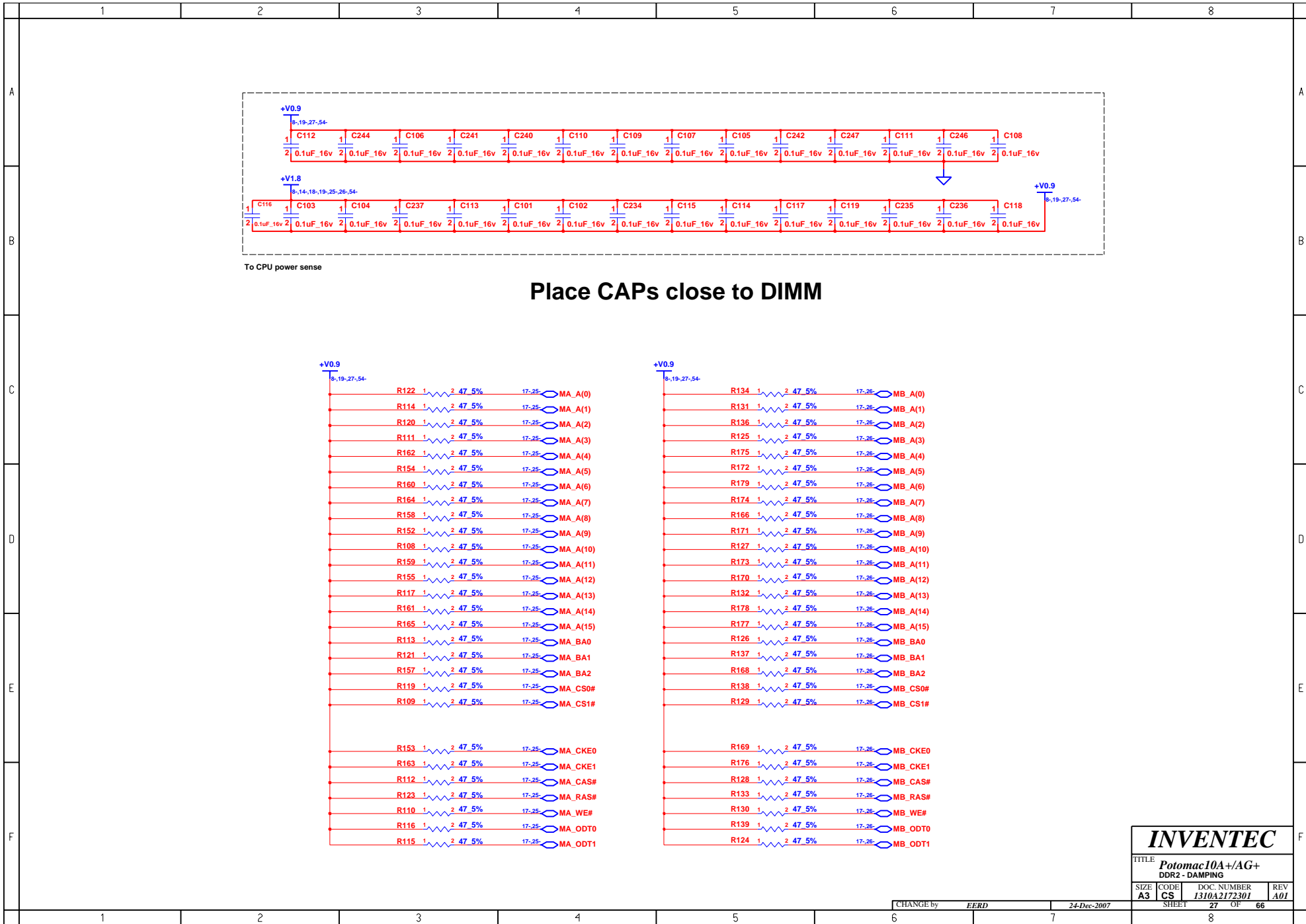


SO DIMM1 Slot B

INVENTEC

TITLE **Potomac10A+/AG+
DDR2 - DIMM1**

SIZE	CODE	DOC. NUMBER	REV
A3	CS	1310A2172301	A01



To CPU power sense

Place CAPs close to DIMM

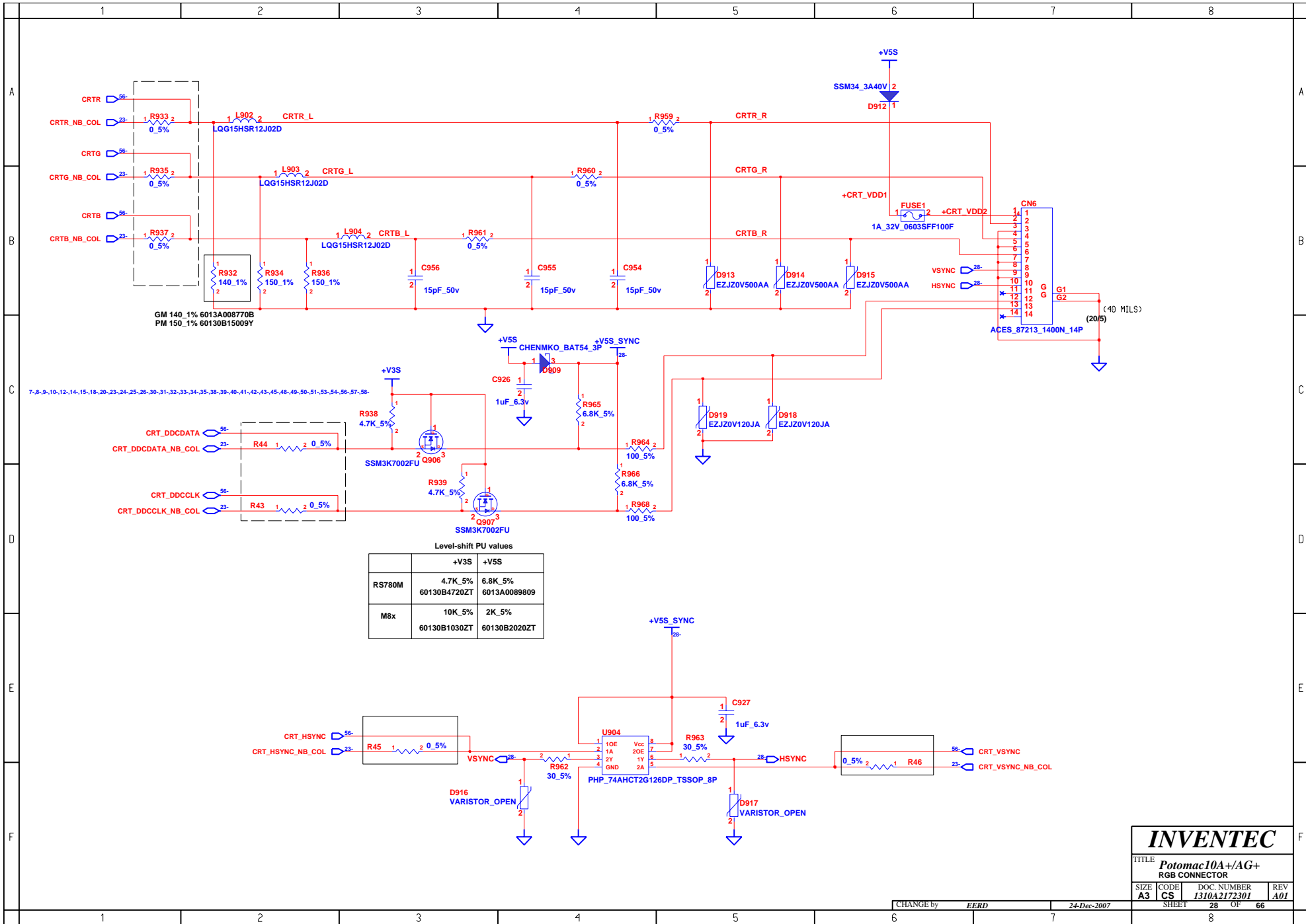
INVENTEC

TITLE **Potomac10A+/AG+**
DDR2 - DAMPING

SIZE A3	CODE CS	DOC. NUMBER I310A217301	REV A01
-------------------	-------------------	-----------------------------------	-------------------

CHANGE by **EERD** 24-Dec-2007

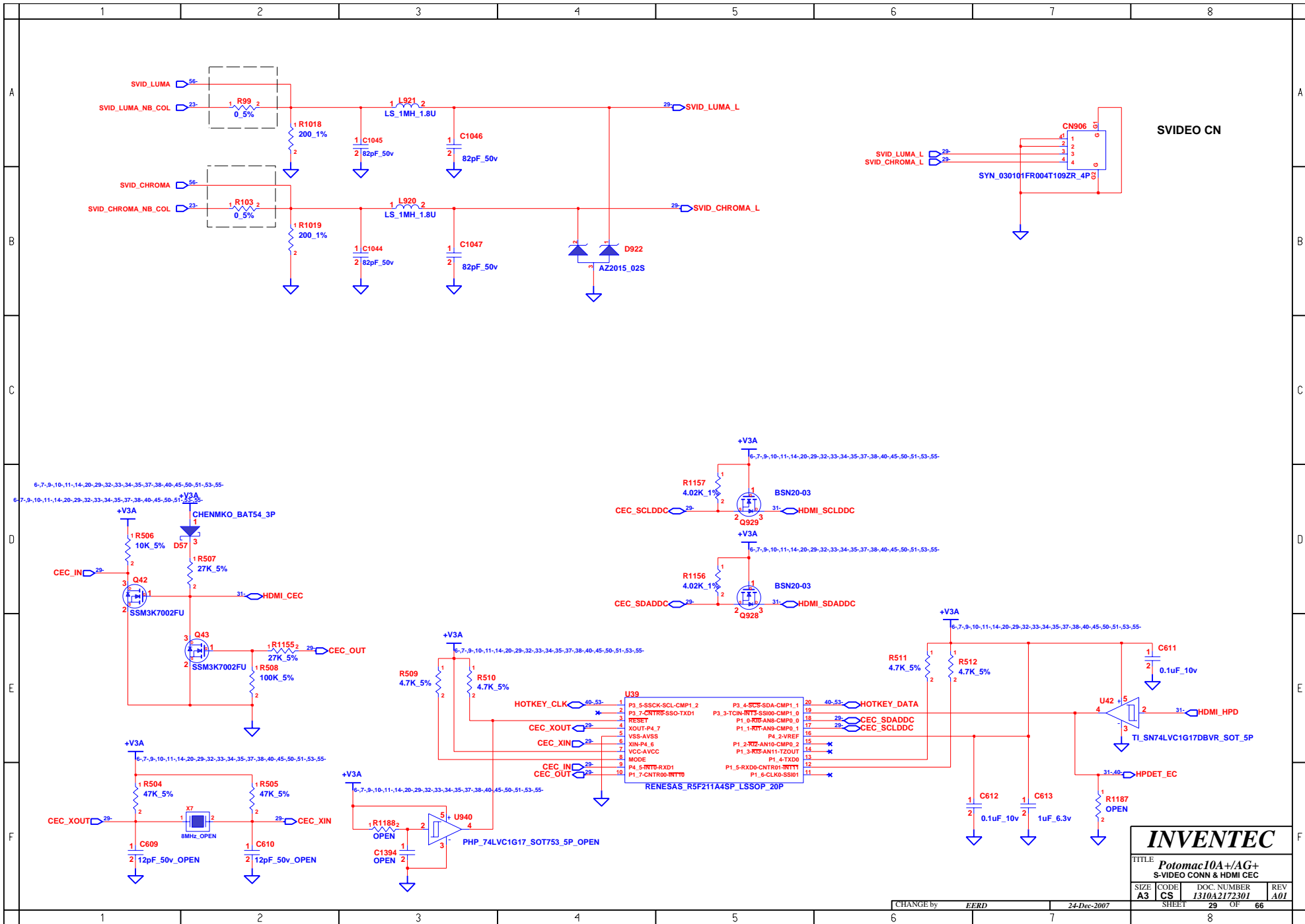
SHEET 27 OF 66



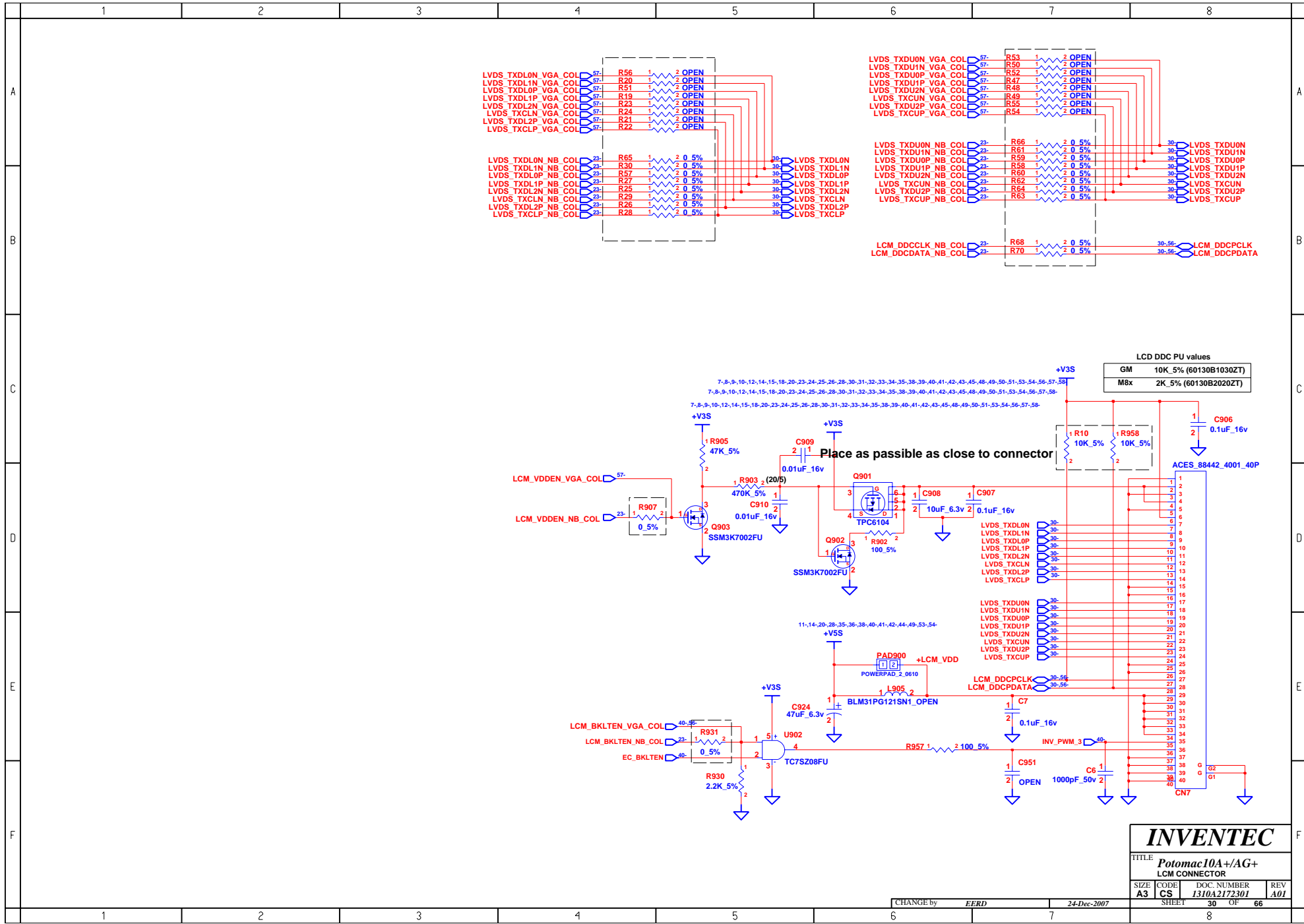
INVENTEC

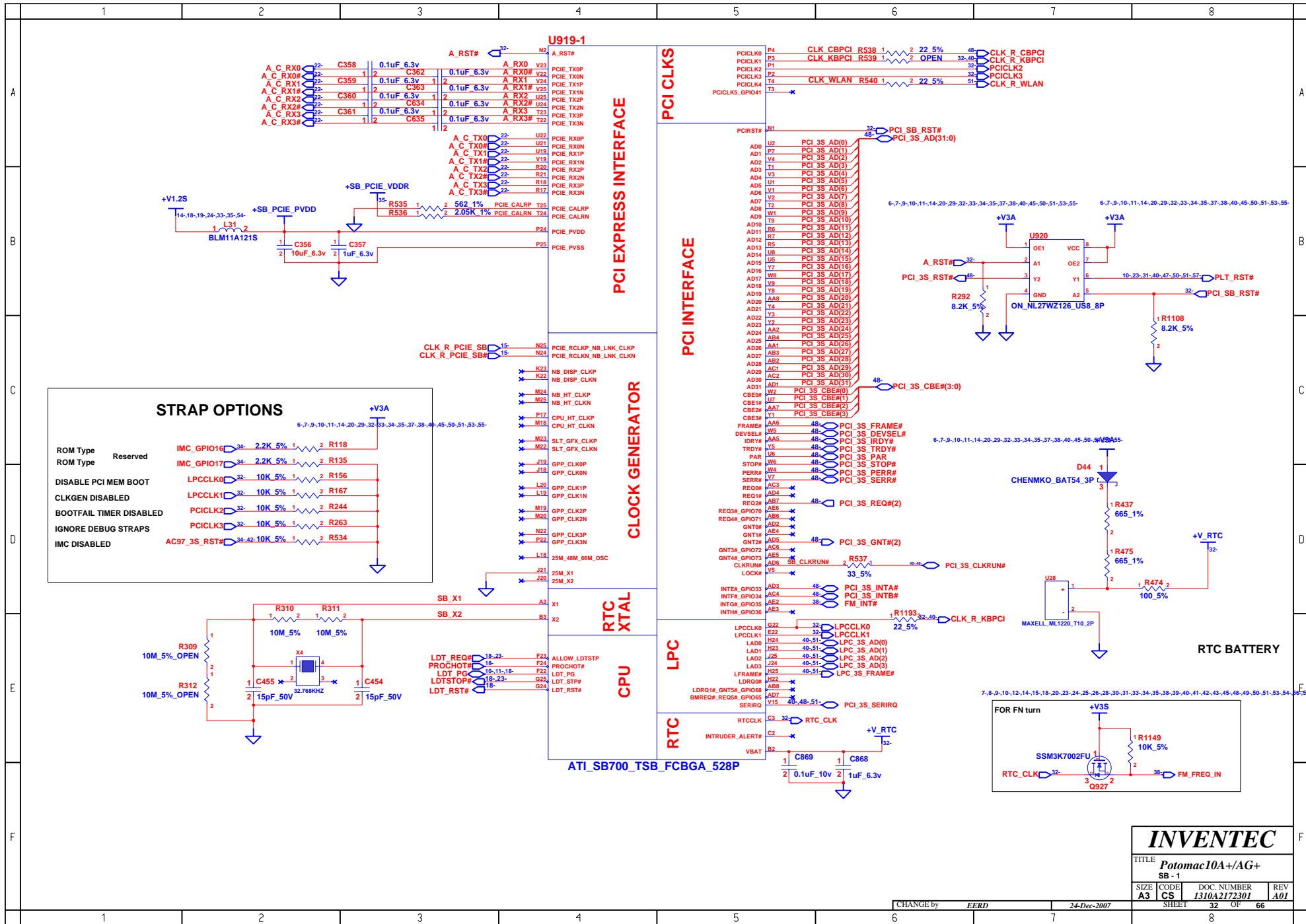
TITLE			
Potomac 10A+/AG+ RGB CONNECTOR			
SIZE	CODE	DOC. NUMBER	REV
A3	CS	1310A217301	A01
CHANGE by		SHEET	OF
EERD		28	66

24-Dec-2007



INVENTEC			
TITLE Potomac10A+/AG+ S-VIDEO CONN & HDMI CEC			
SIZE A3	CODE CS	DOC. NUMBER I310A2172301	REV A01
CHANGE by EERD		24-Dec-2007	
SHEET 29		OF 66	



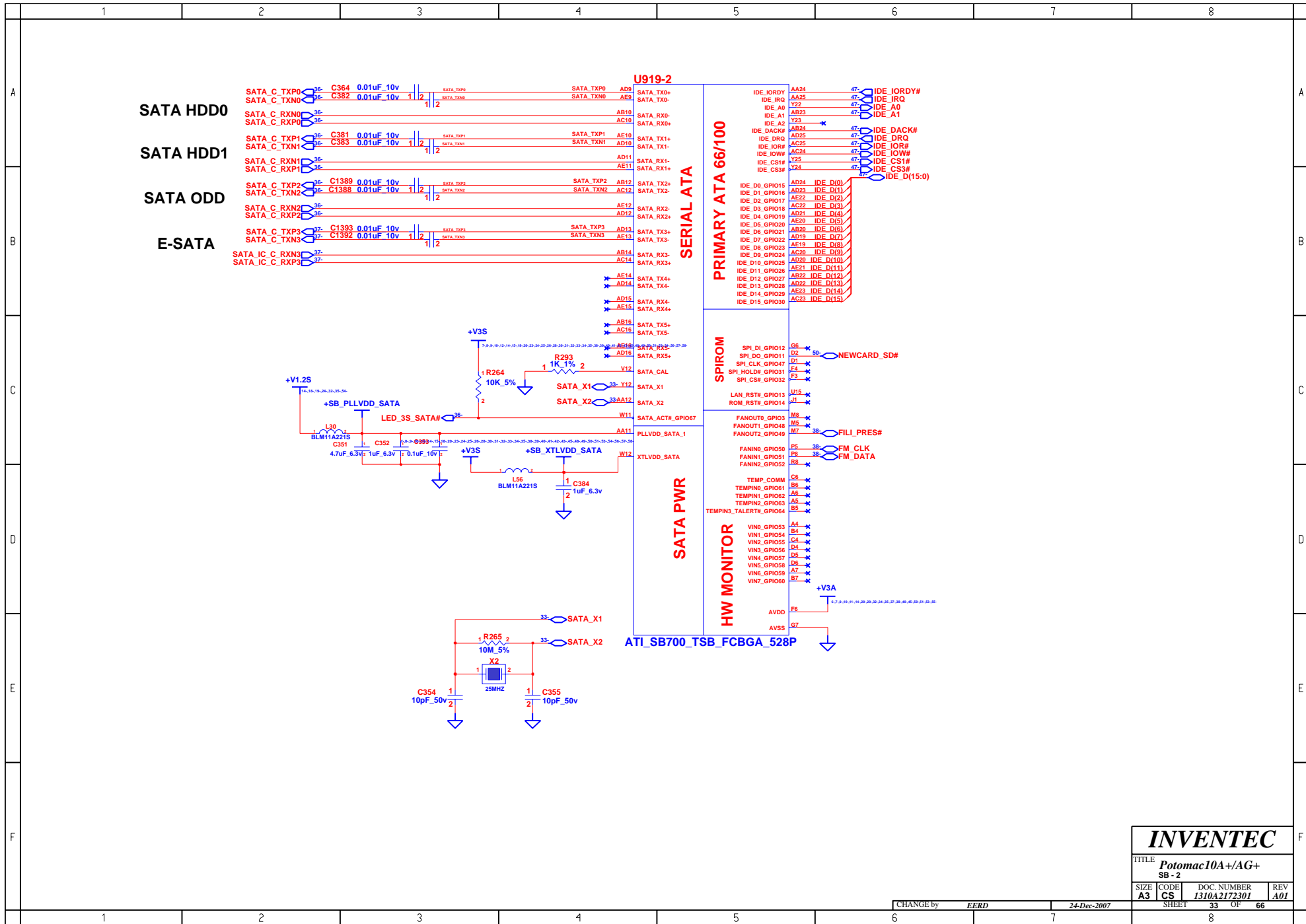


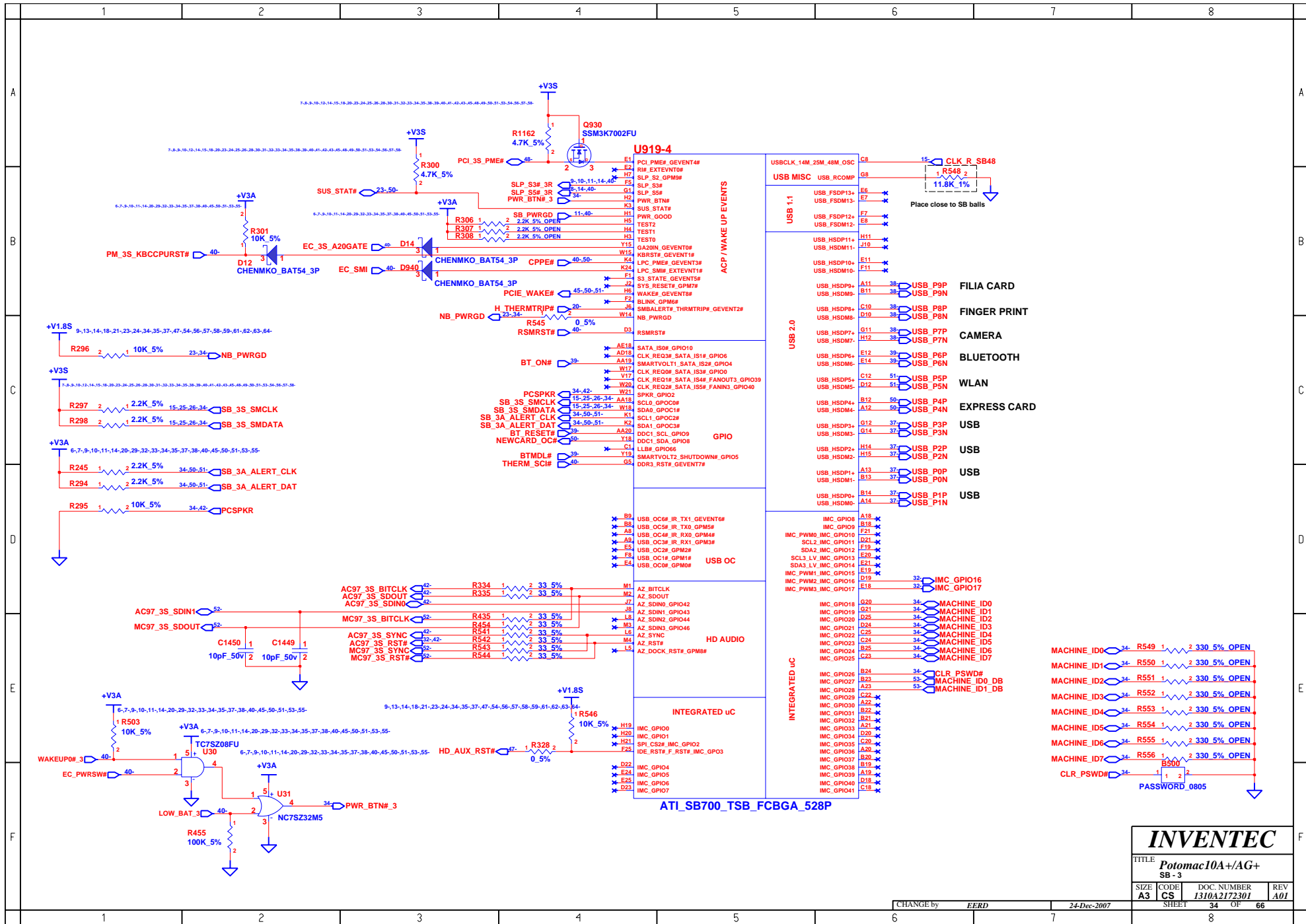
INVENTEC

TITLE
Potomac10A+/AG+
SB - 1

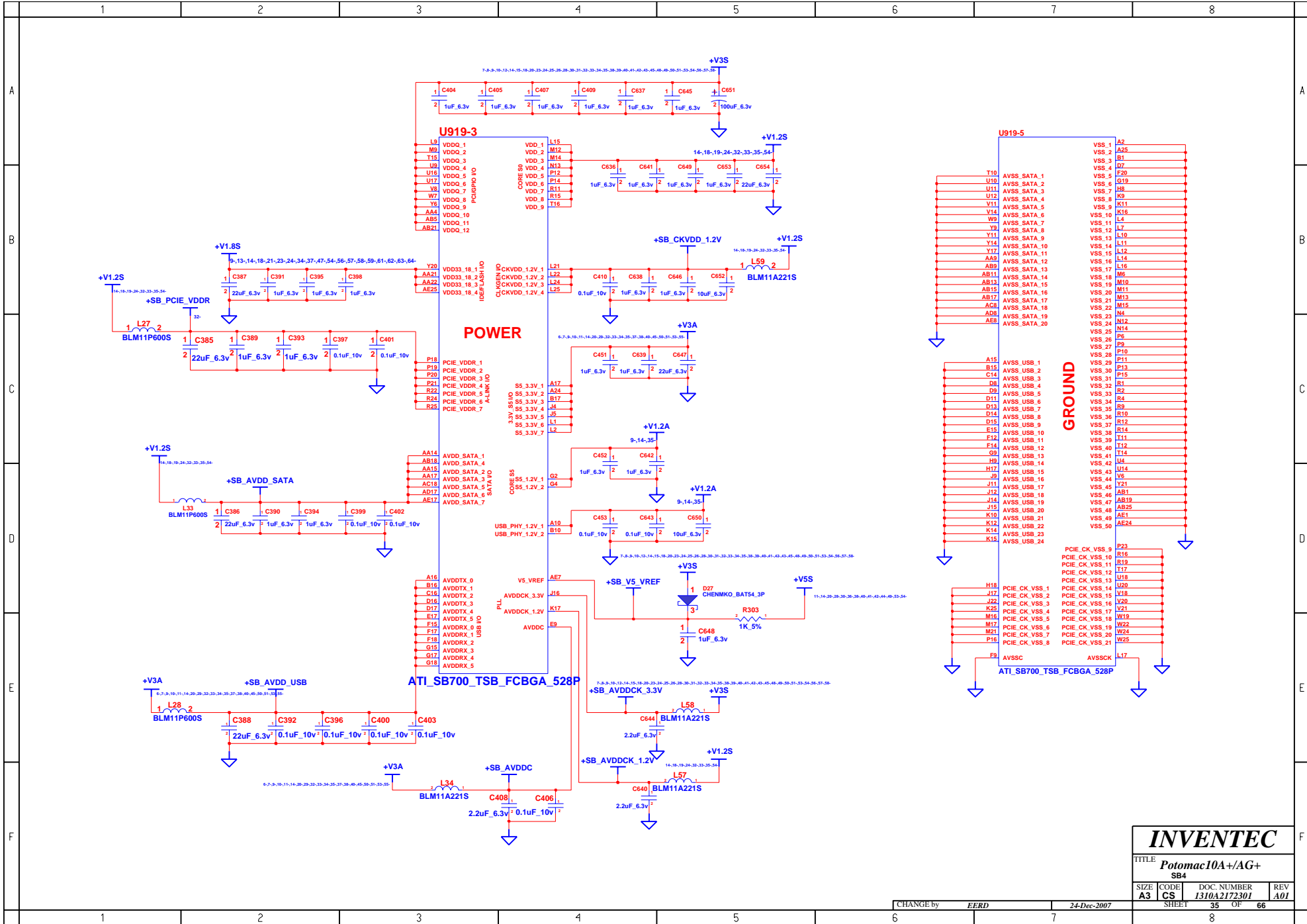
SIZE CODE DOC. NUMBER REV
A3 CS 1310A217301 A01

CHANGE by EERD 24-Dec-2007 SHEET 32 OF 66

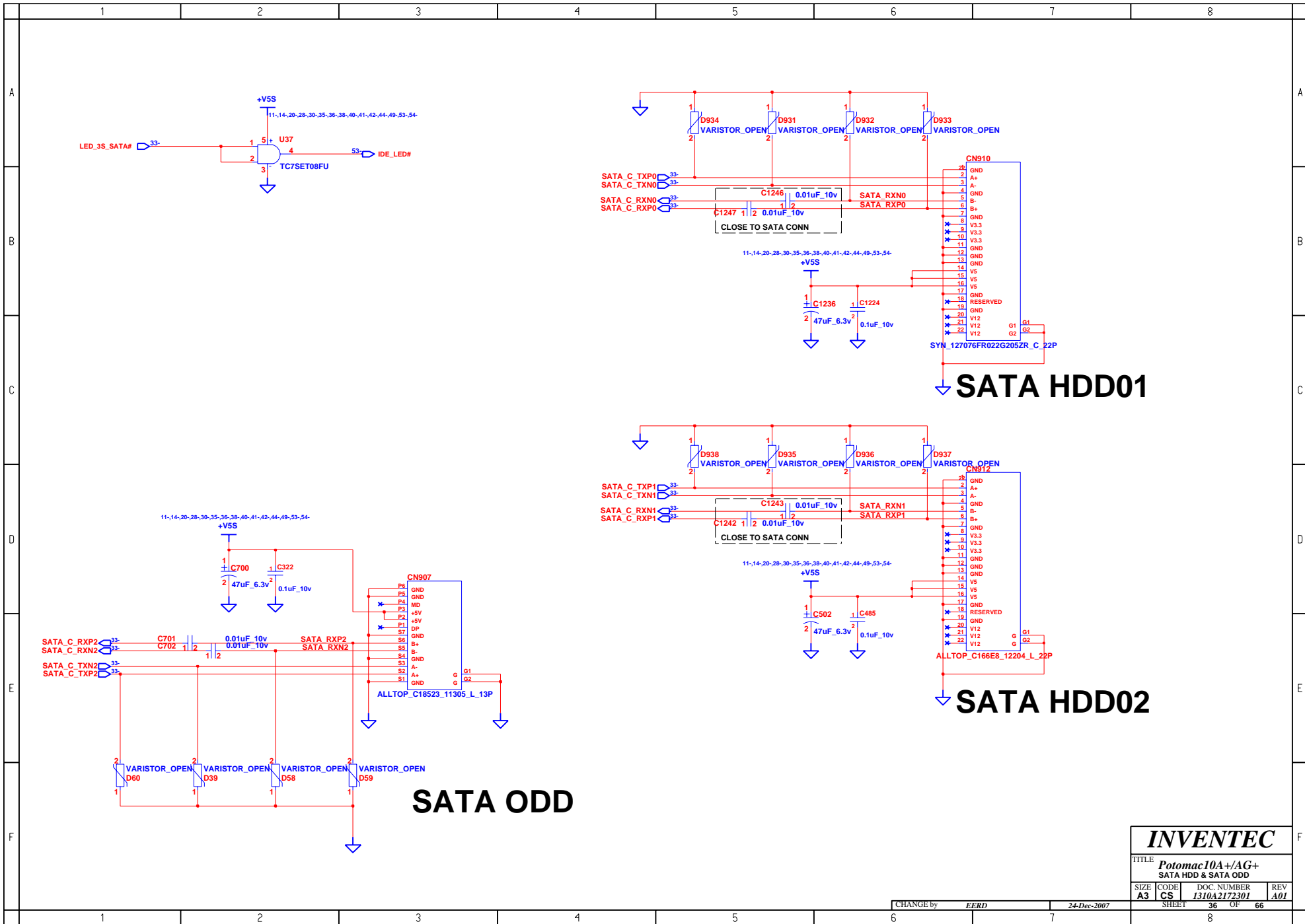




INVENTEC			
TITLE Potomac10A+/AG+			
SB - 3			
SIZE A3	CODE CS	DOC. NUMBER 1310A217301	REV A01
CHANGE by EERD		24-Dec-2007	
SHEET 34		OF 66	



INVENTEC			
TITLE Potomac10A+/AG+			
SB4			
SIZE	CODE	DOC. NUMBER	REV
A3	CS	I310A2172301	A01
CHANGE by		EERD	24-Dec-2007
SHEET		35	OF 66



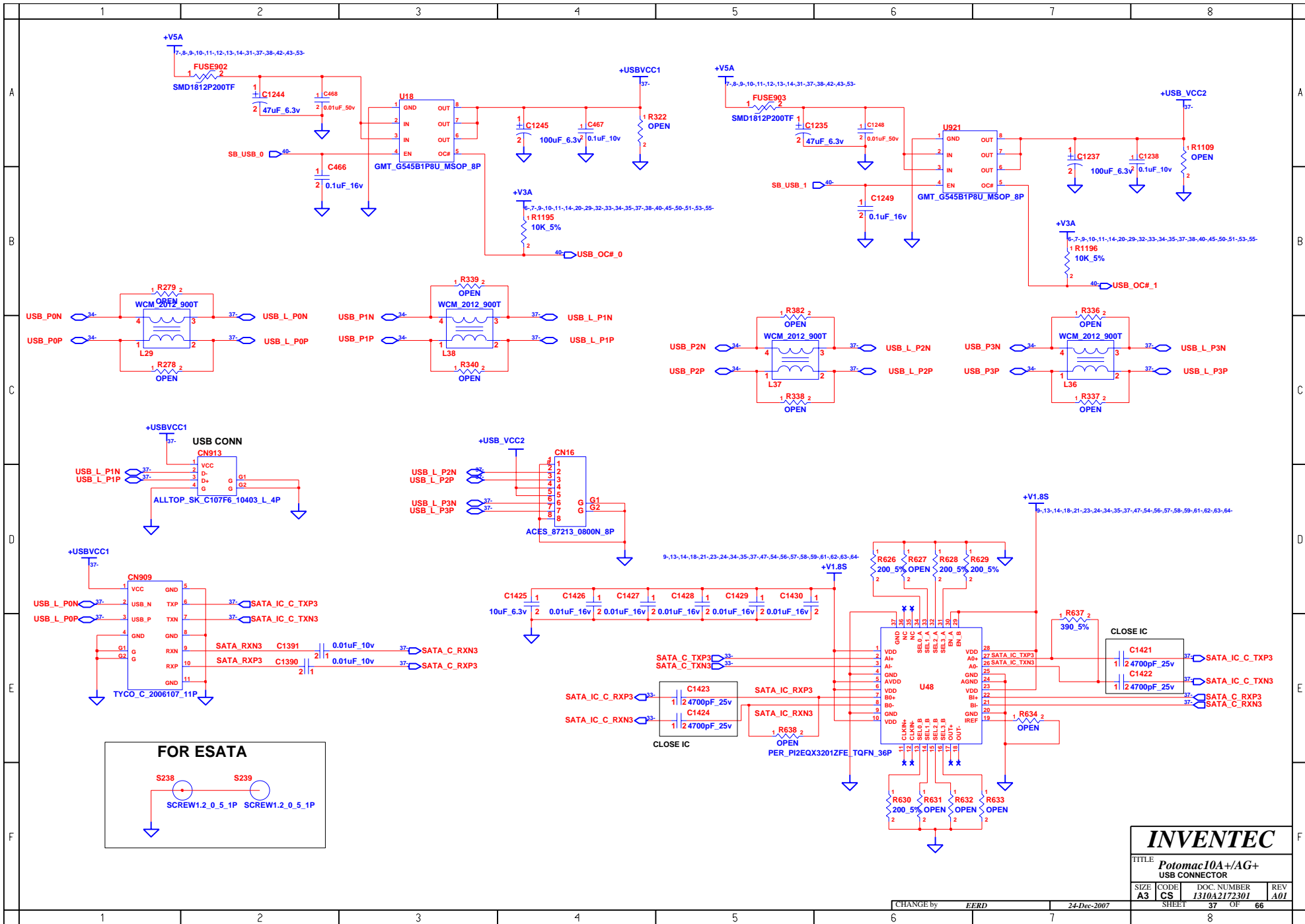
SATA HDD01

SATA HDD02

SATA ODD

INVENTEC

TITLE			
Potomac10A+/AG+			
SATA HDD & SATA ODD			
SIZE	CODE	DOC. NUMBER	REV
A3	CS	I310A217301	A01

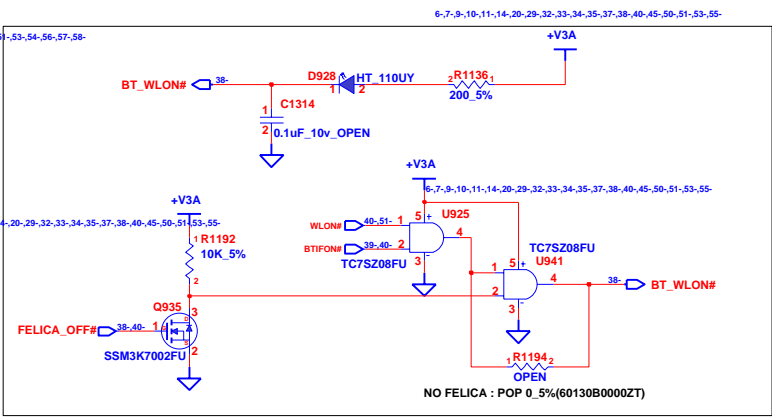
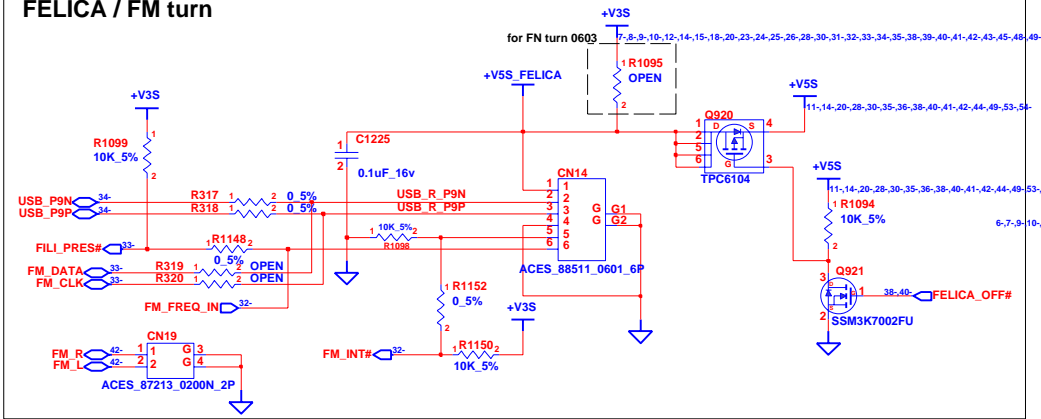


INVENTEC

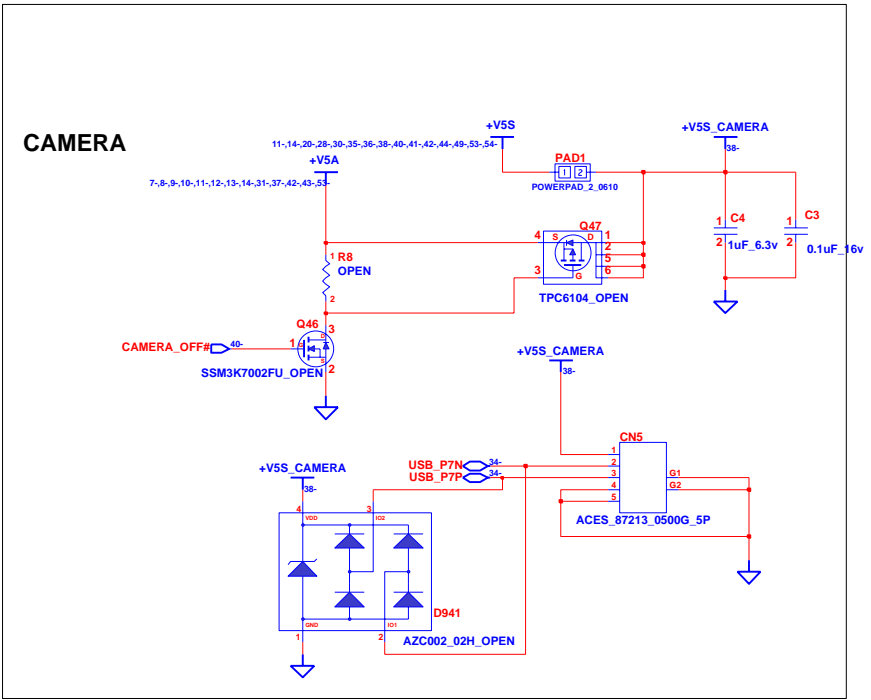
TITLE			
Potomac10A+/AG+			
USB CONNECTOR			
SIZE	CODE	DOC. NUMBER	REV
A3	CS	I310A217301	A01
CHANGE by		SHEET	
EERD		37 OF 66	

24-Dec-2007

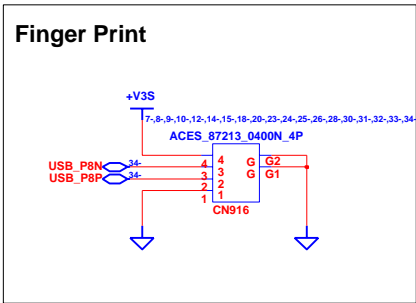
FELICA / FM turn



CAMERA



Finger Print



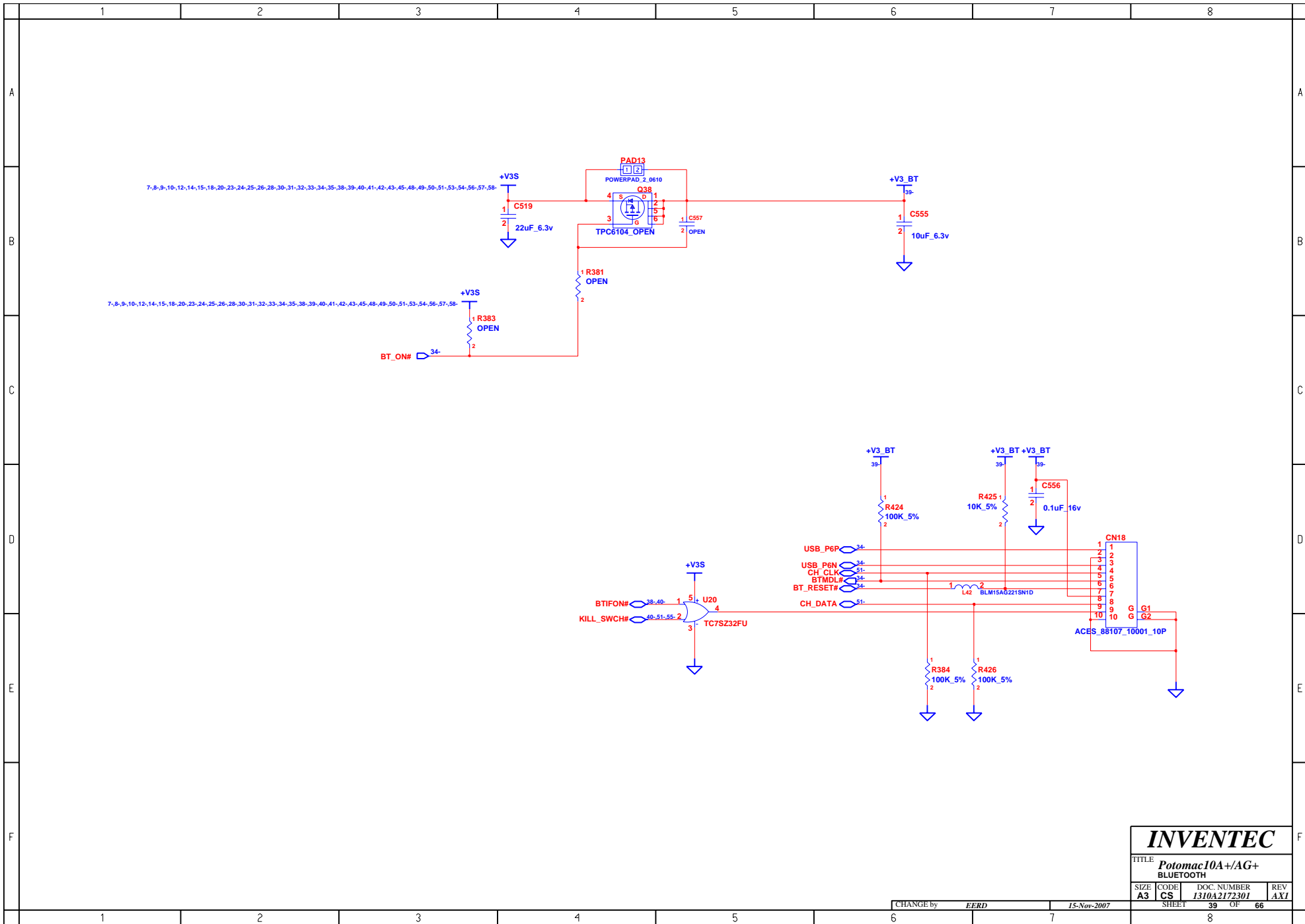
INVENTEC

TITLE **Potomac10A+/AG+
FP & FELICA & CAMERA & FM**

SIZE **A3** CODE **CS** DOC NUMBER **1310A2172301** REV **A01**

CHANGE by **EERD** 24-Dec-2007

SHEET **38** OF **66**

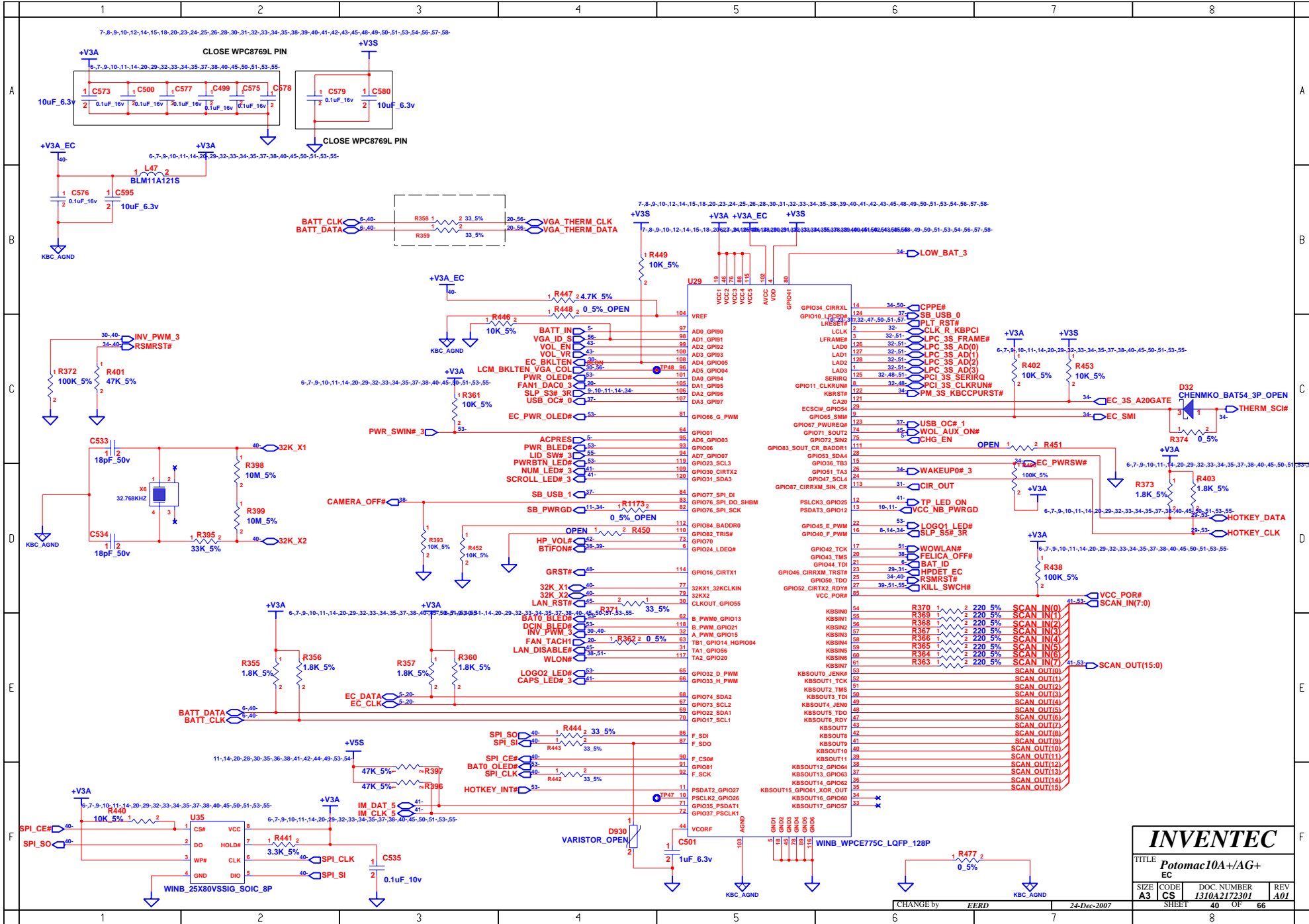


INVENTEC

TITLE
**Potomac10A+/AG+
 BLUETOOTH**

SIZE A3	CODE CS	DOC. NUMBER 1310A217301	REV AX1
-------------------	-------------------	-----------------------------------	-------------------

CHANGE by **EERD** 15-Nov-2007 SHEET **39** OF **66**



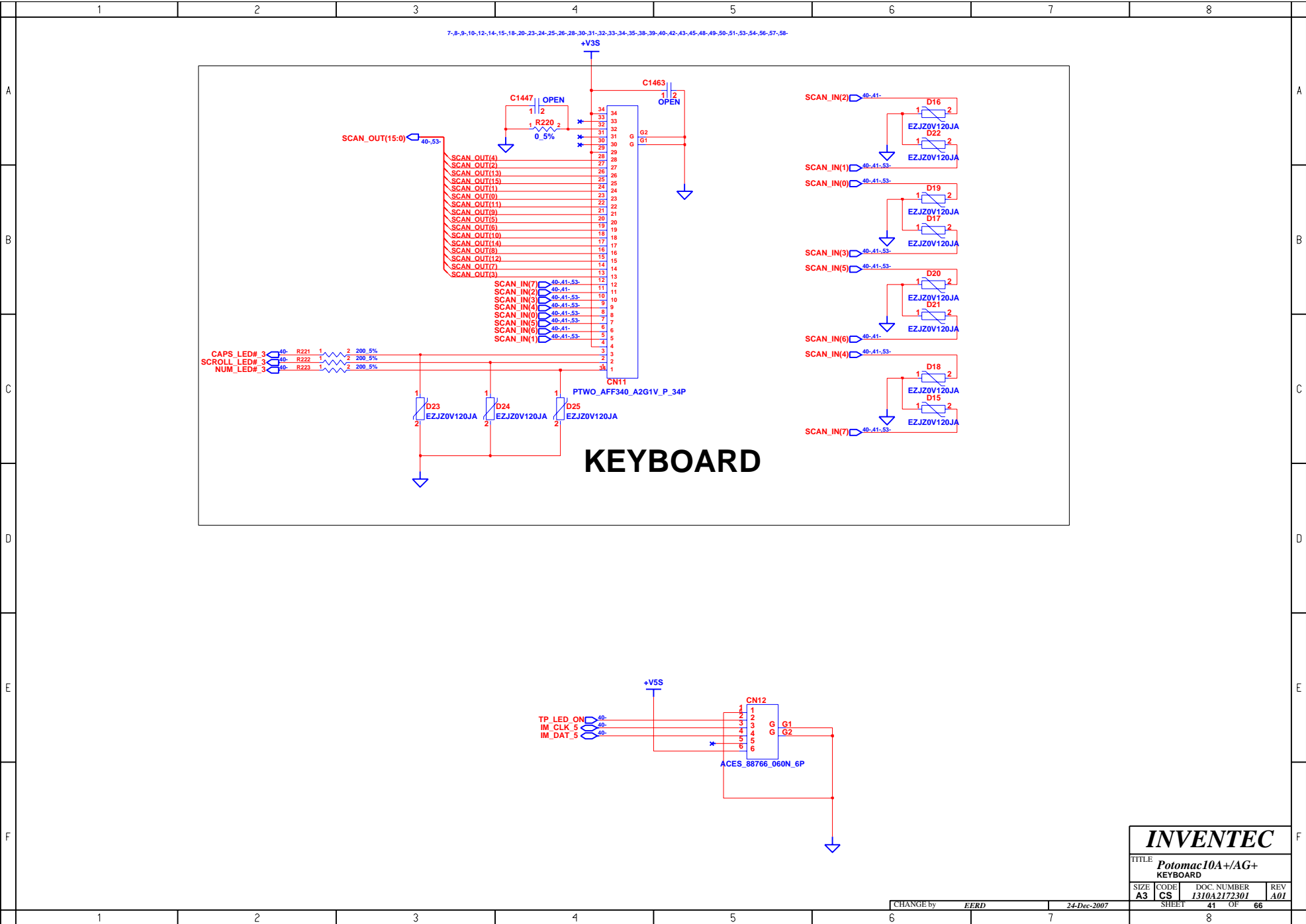
INVENTEC

TITLE *Potomac10A+/AG+*
EC

SIZE	CODE	DOC. NUMBER	REV
A3	CS	1310A217301	A01

SHEET 40 OF 66

CHANGE by EERD 24-Dec-2007

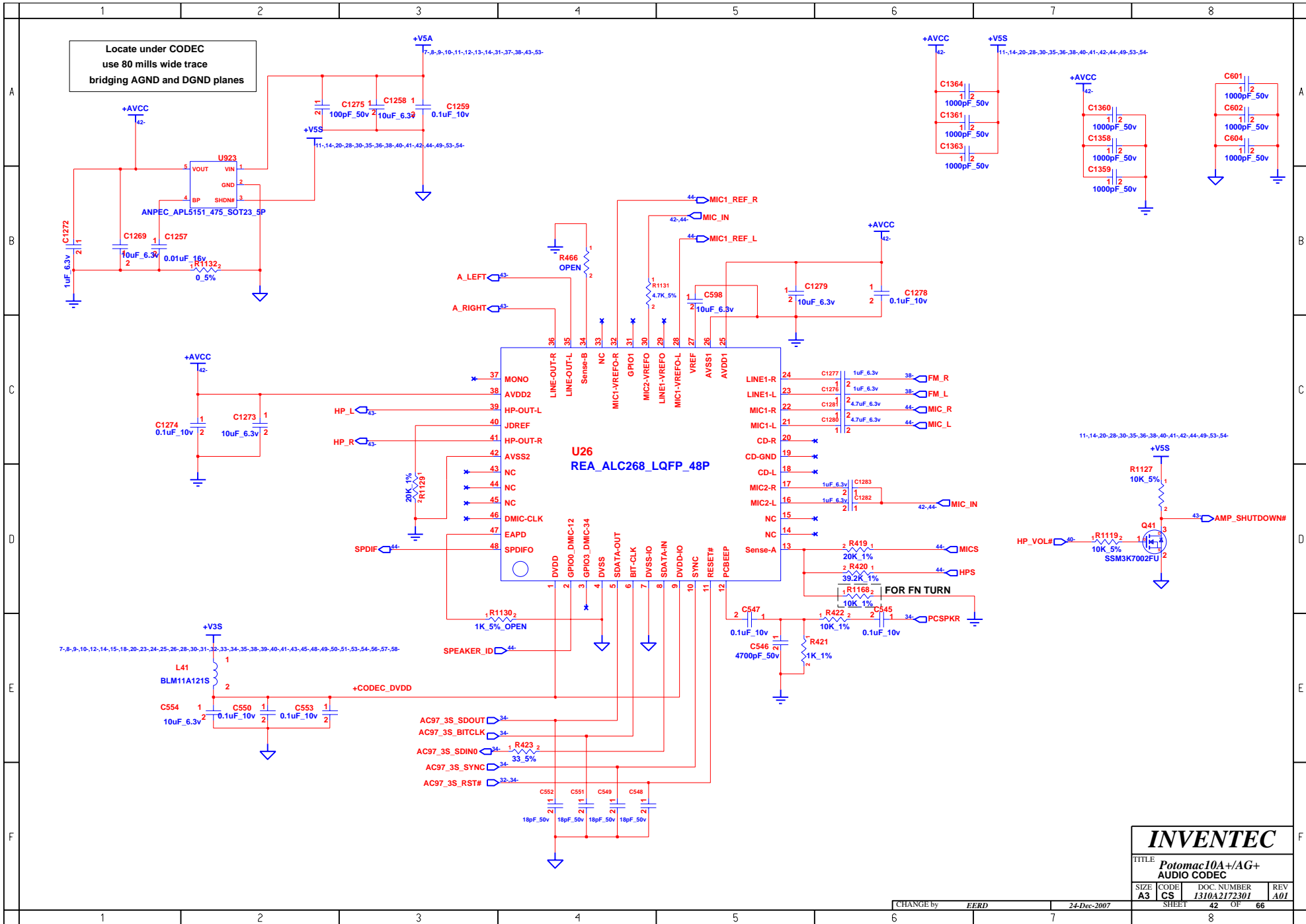


INVENTEC

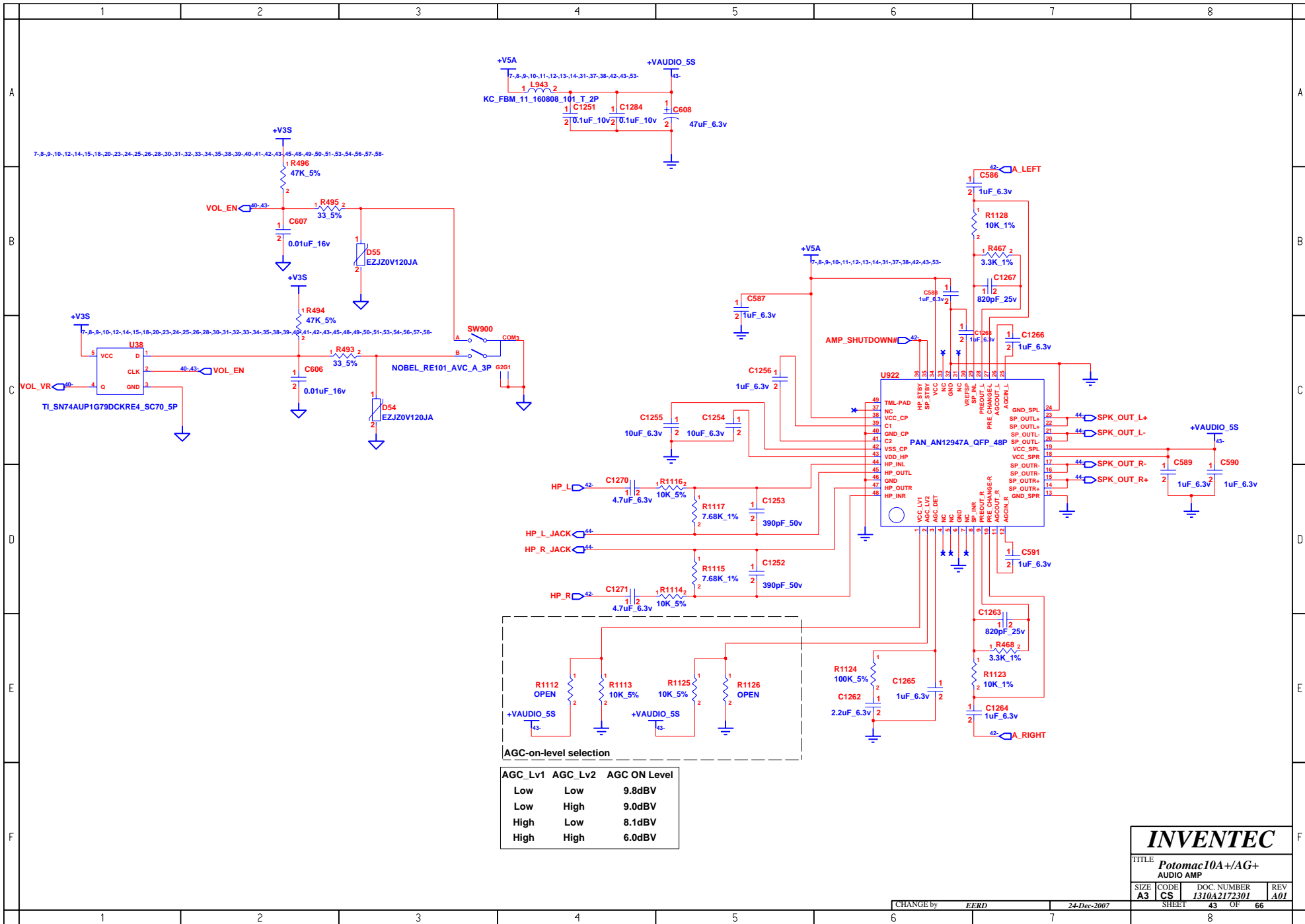
TITLE Potomac10A+/AG+
KEYBOARD

SIZE A3	CODE CS	DOC. NUMBER 1310A217301	REV A01
---------	---------	-------------------------	---------

CHANGE by EERD 24-Dec-2007 SHEET 41 OF 66



INVENTEC			
TITLE Potomac10A+/AG+ AUDIO CODEC			
SIZE A3	CODE CS	DOC. NUMBER 1310A2172301	REV A01
CHANGE by EERD		24-Dec-2007	
SHEET 42		OF 66	



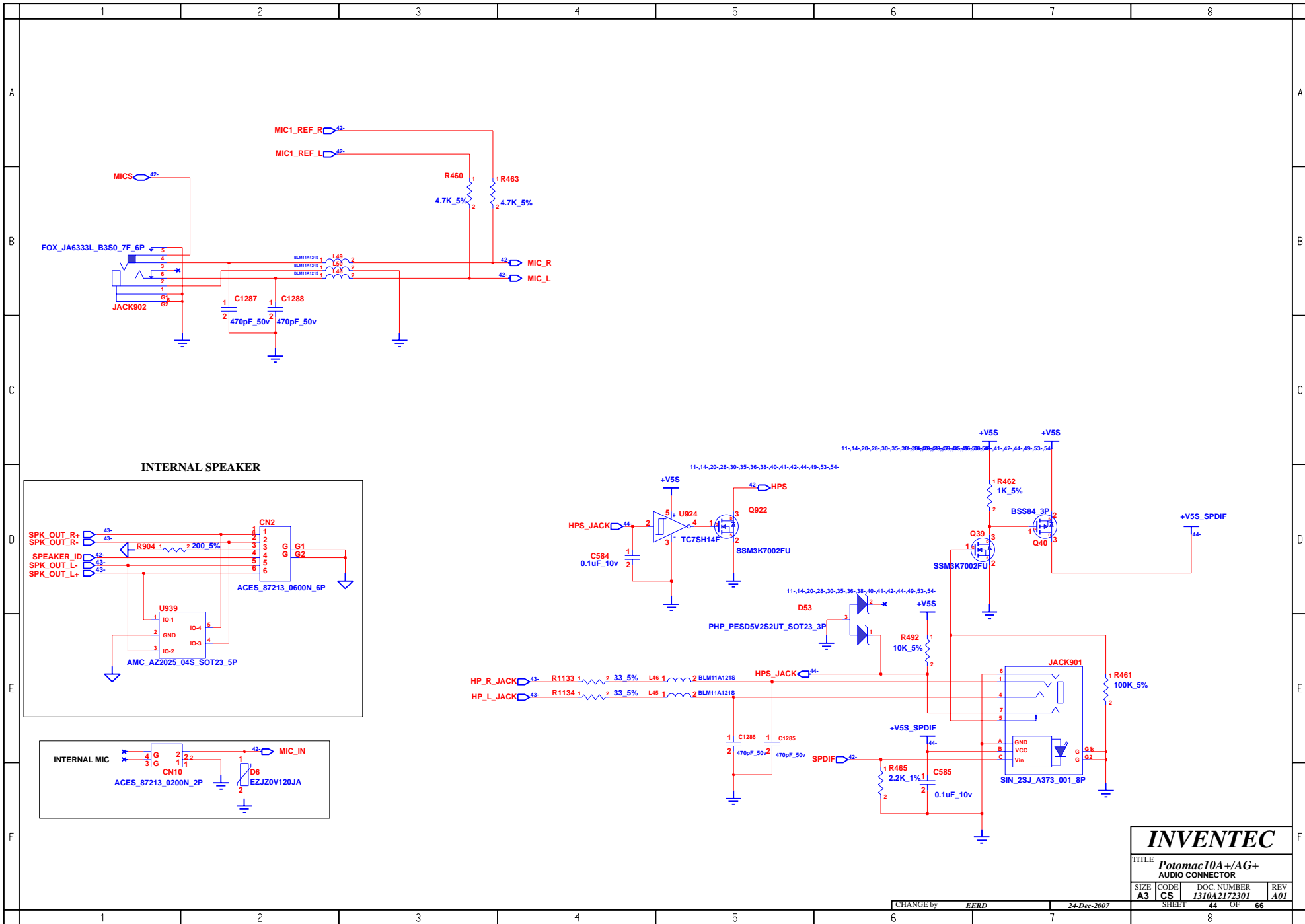
INVENTEC

TITLE
Potomac10A+/AG+
AUDIO AMP

SIZE A3	CODE CS	DOC. NUMBER 1310A2172301	REV A01
------------	------------	-----------------------------	------------

CHANGE by EERD 24-Dec-2007

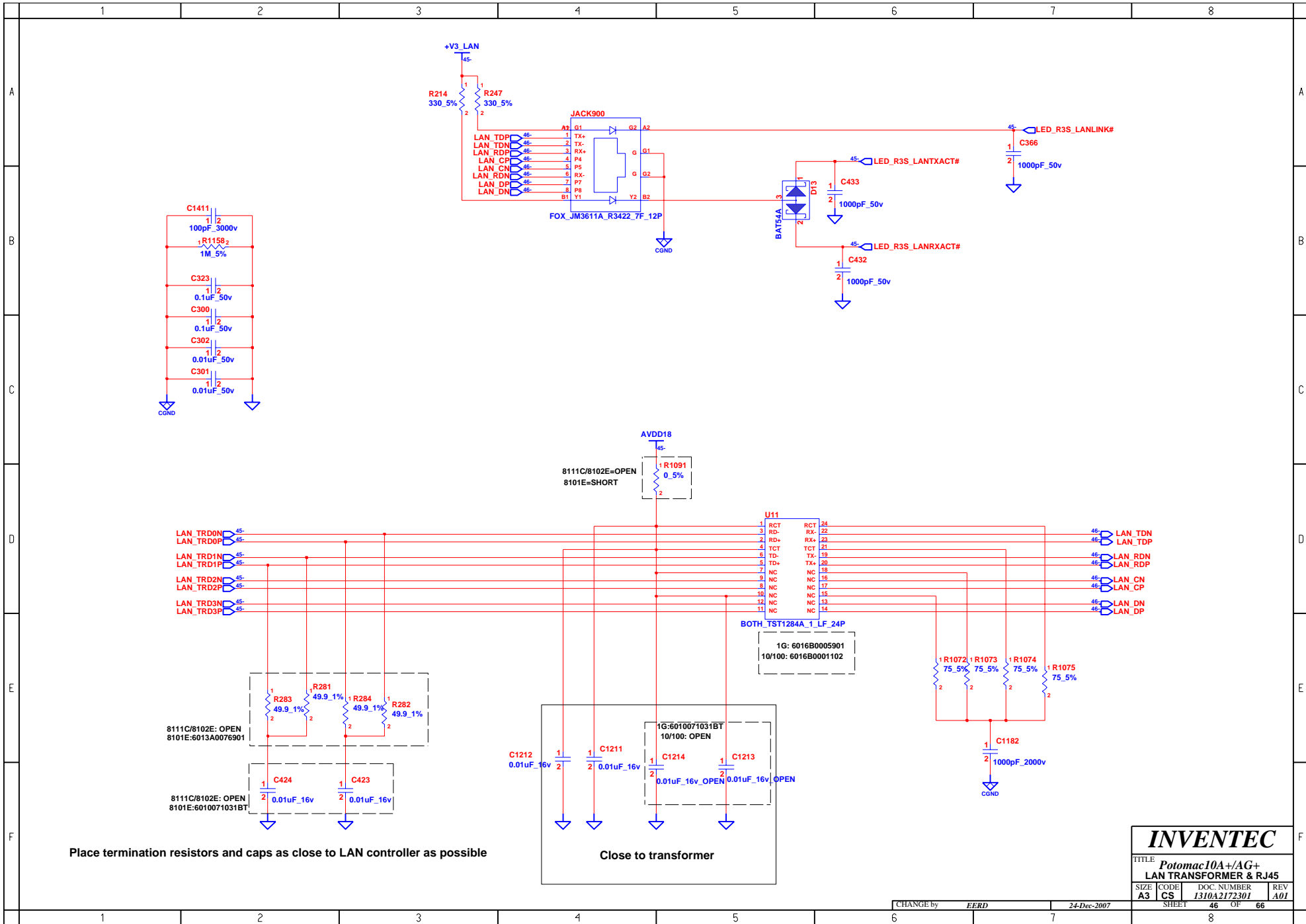
SHEET 43 OF 66



INVENTEC

TITLE
Potomac10A+/AG+
 AUDIO CONNECTOR

SIZE	CODE	DOC. NUMBER	REV
A3	CS	1310A217301	A01



Place termination resistors and caps as close to LAN controller as possible

Close to transformer

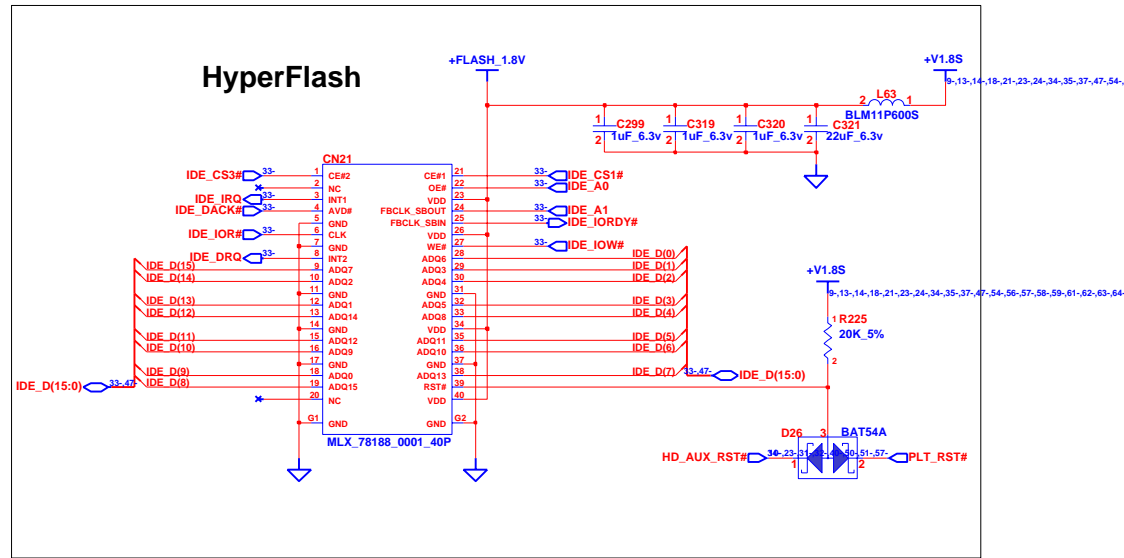
INVENTEC

TITLE **Potomac10A+/AG+ LAN TRANSFORMER & RJ45**

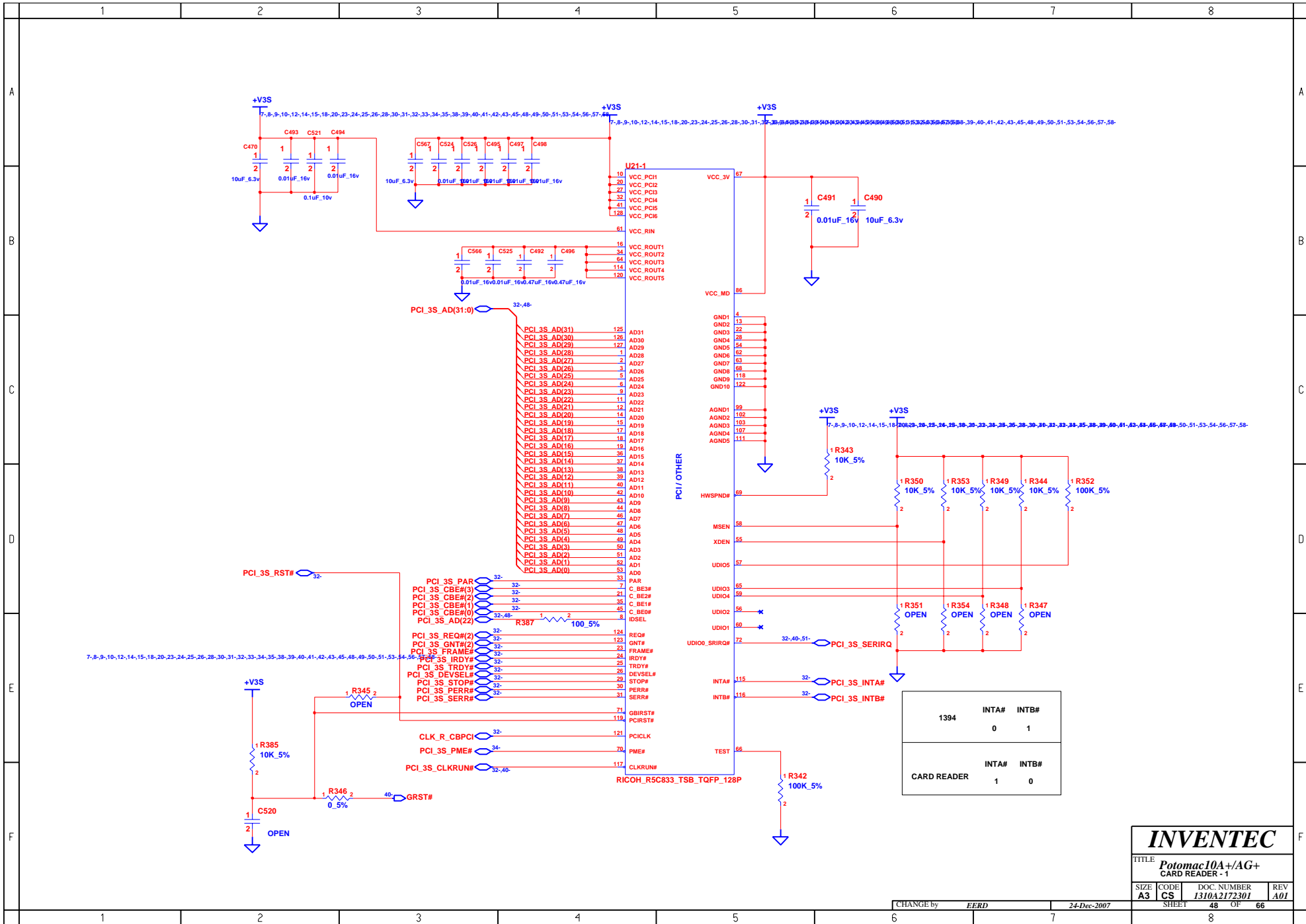
SIZE A3	CODE CS	DOC. NUMBER 1310A217301	REV A01
----------------	----------------	--------------------------------	----------------

CHANGE by **EERD** 24-Dec-2007

SHEET 46 OF 66



INVENTEC			
TITLE Potomac10A+/AG+ AMD HYPER FLASH CONN			
SIZE A3	CODE CS	DOC. NUMBER 1310A217301	REV A01
CHANGE by EERD		24-Dec-2007	
SHEET 47		OF 66	



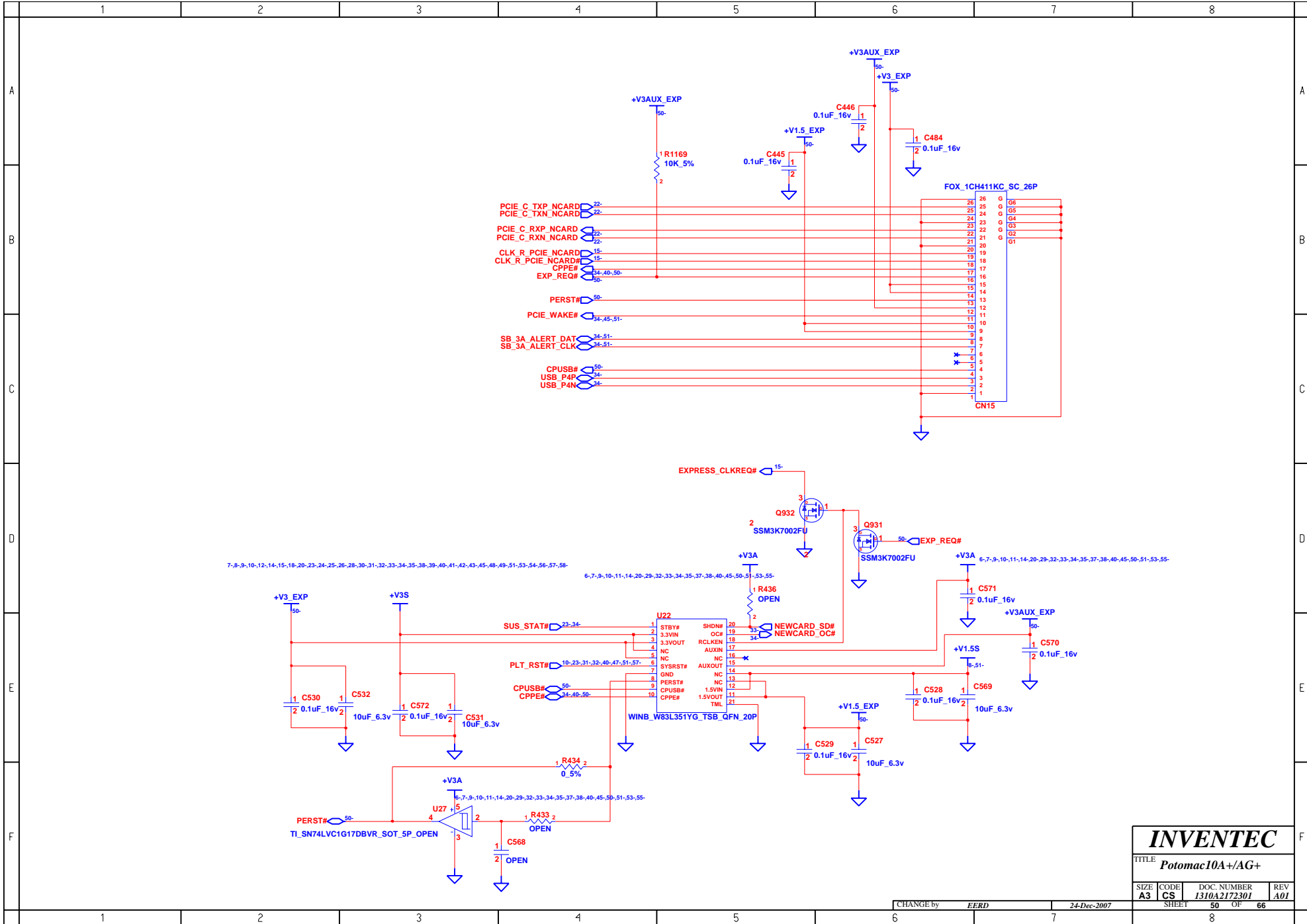
1394	INTA#	INTB#
	0	1
CARD READER		
	INTA#	INTB#
	1	0

INVENTEC

TITLE: **Potomac 10A+/AG+ CARD READER - 1**

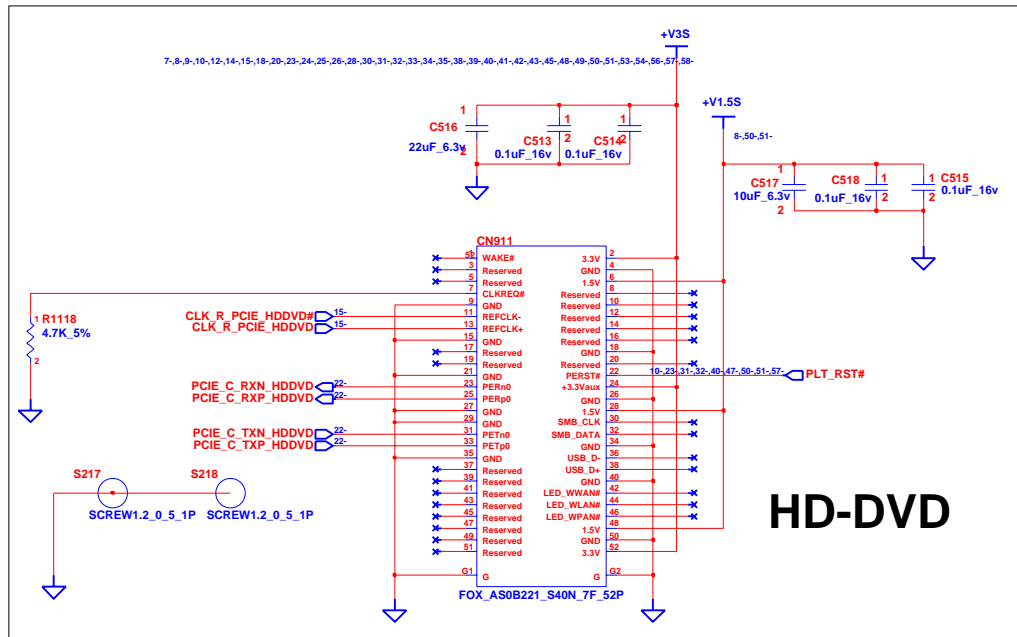
SIZE	CODE	DOC. NUMBER	REV
A3	CS	1310A217301	A01

CHANGE by: EERD 24-Dec-2007 SHEET 48 OF 66



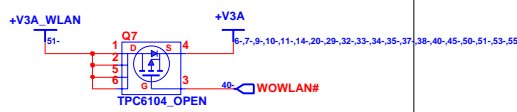
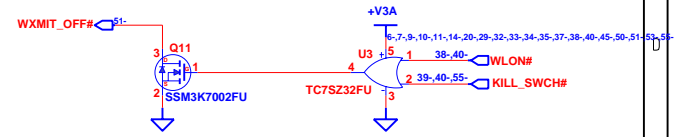
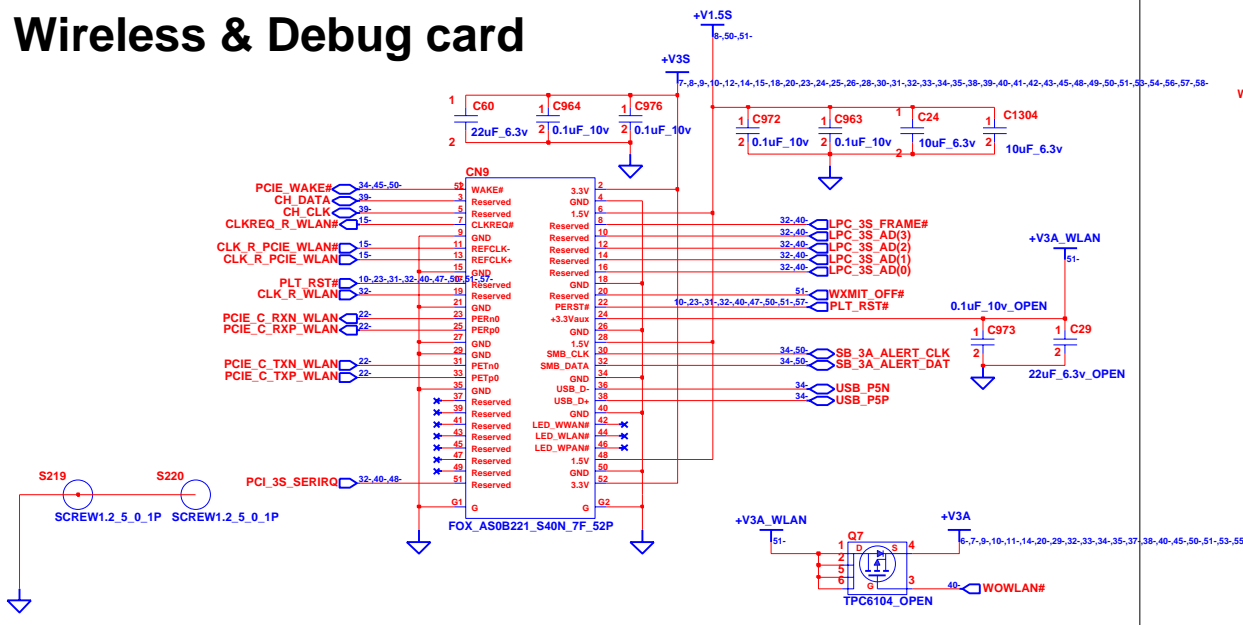
CHANGE by: EERD 24-Dec-2007

SHEET 50 OF 66

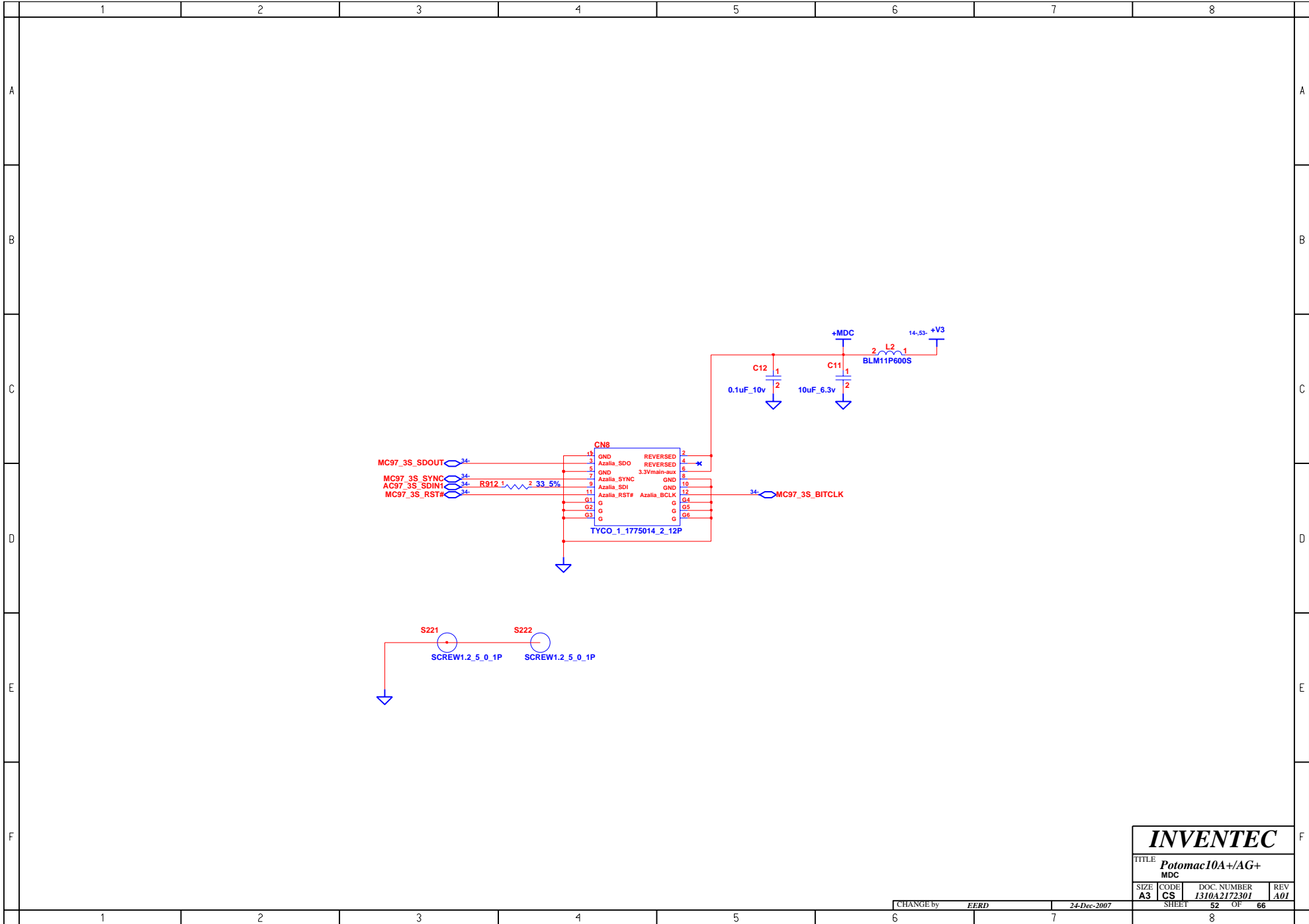


HD-DVD

Wireless & Debug card



INVENTEC			
TITLE Potomac10A+/AG+ HD-DVD & WLAN			
SIZE A3	CODE CS	DOC. NUMBER I310A217301	REV A01
CHANGE by EERD		24-Dec-2007	
SHEET 51		OF 66	



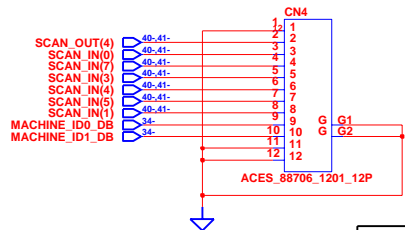
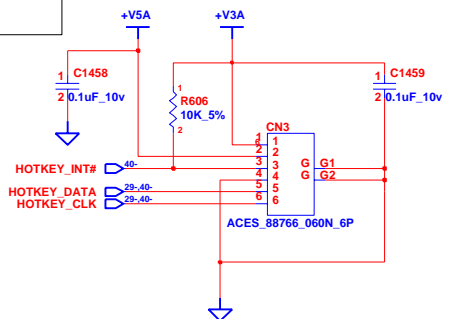
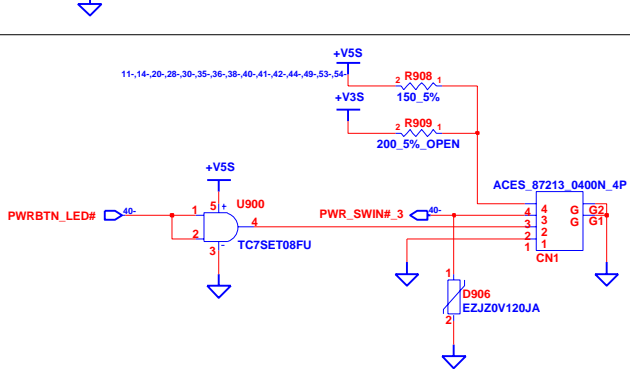
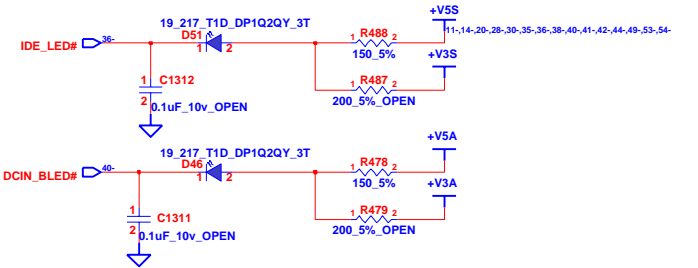
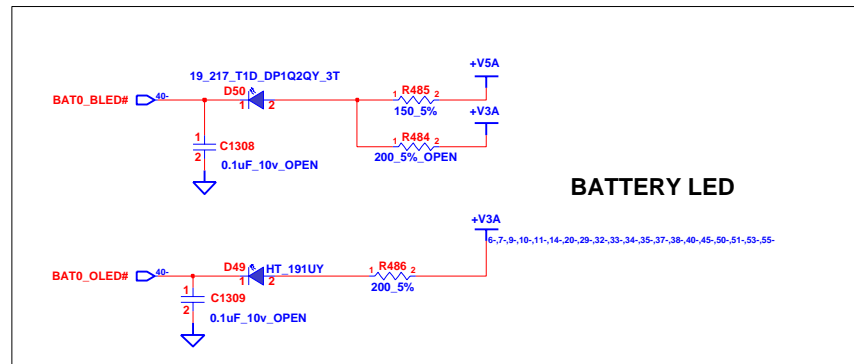
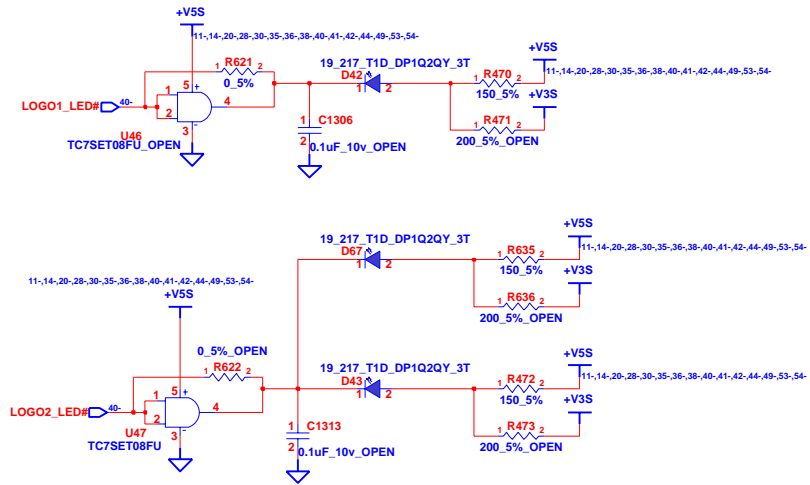
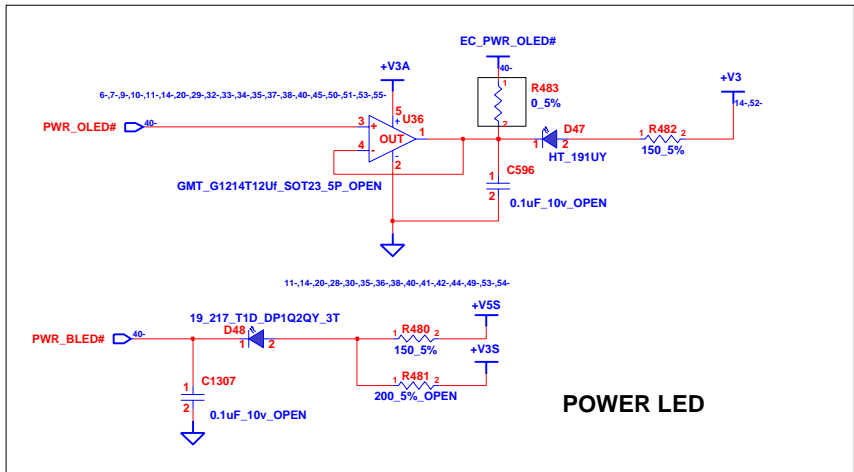
INVENTEC

TITLE **Potomac10A+/-AG+**
MDC

SIZE A3	CODE CS	DOC. NUMBER 1310A2172301	REV A01
-------------------	-------------------	------------------------------------	-------------------

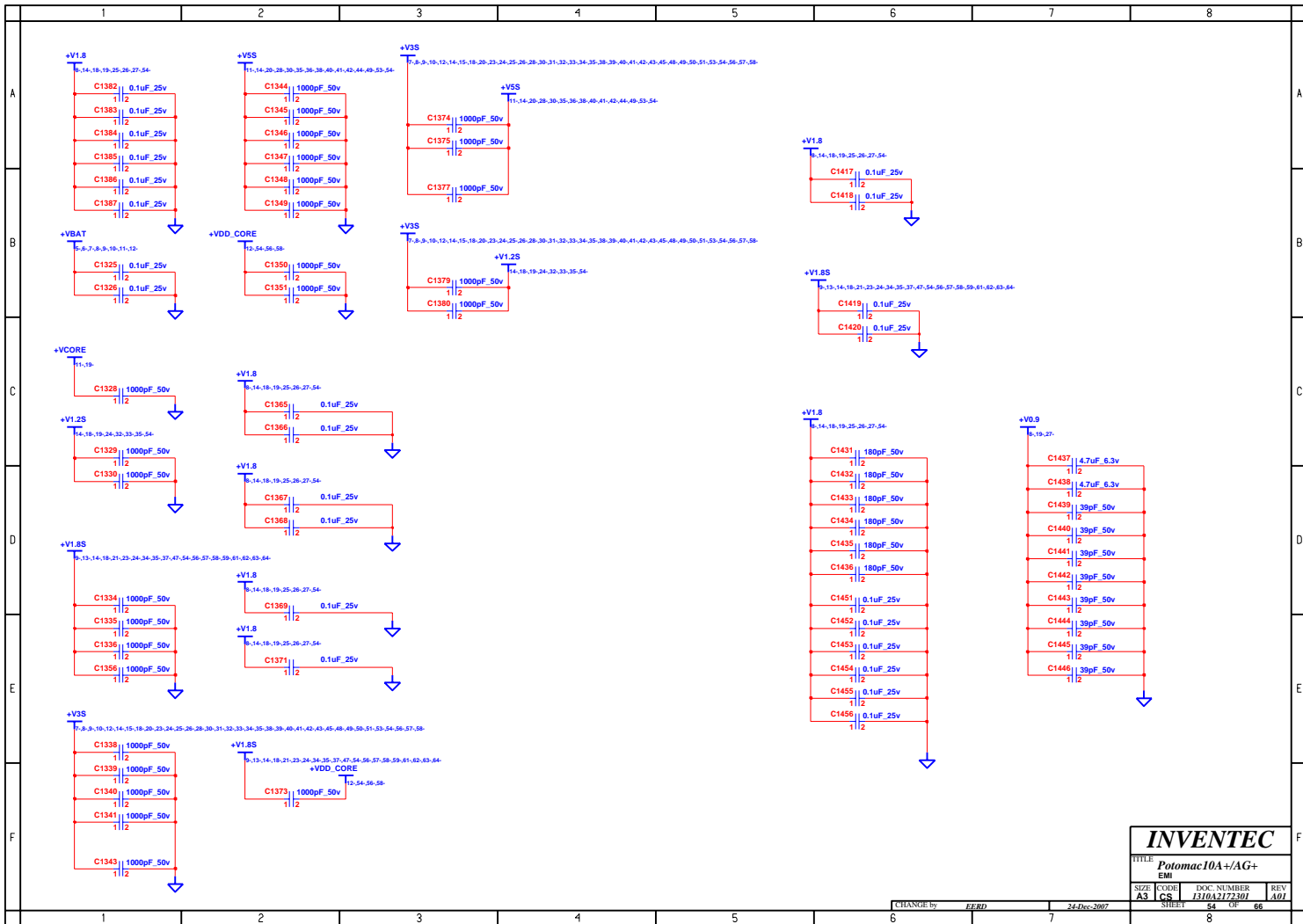
SHEET **52** OF **66**

CHANGE by **EERD** 24-Dec-2007



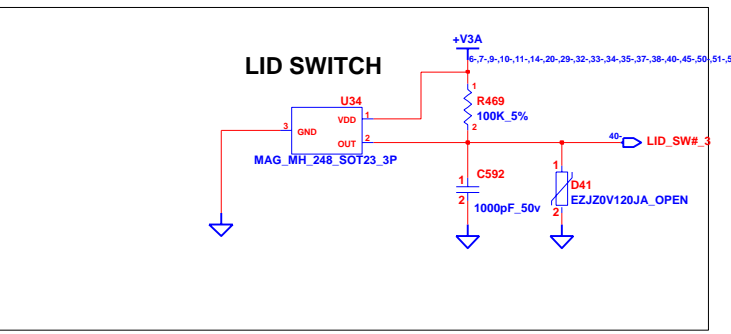
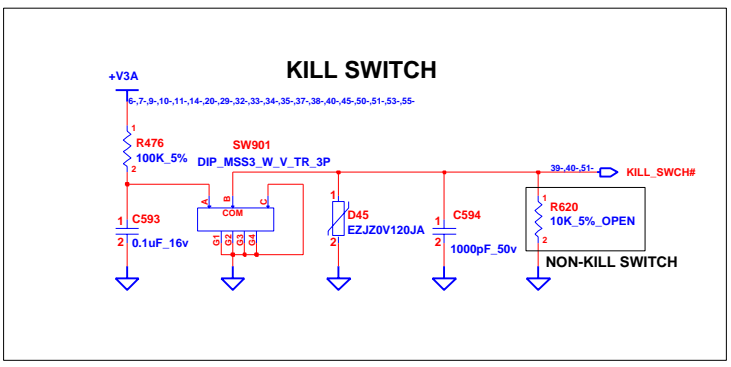
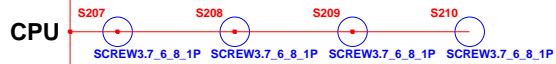
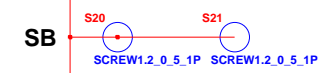
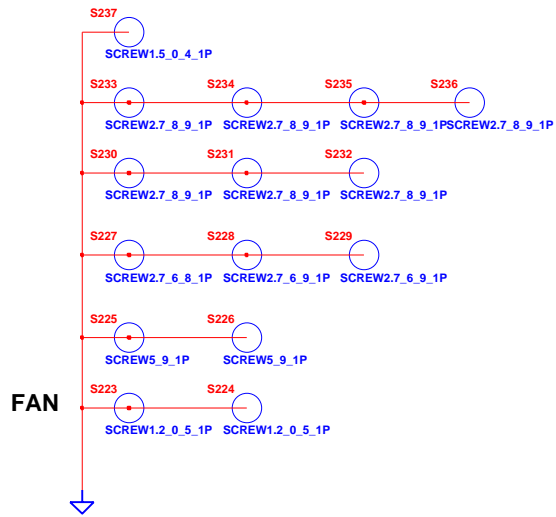
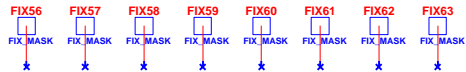
INVENTEC			
TITLE Potomac10A+/AG+			
LED			
SIZE A3	CODE CS	DOC. NUMBER 1310A217301	REV A01
CHANGE by EERD		24-Dec-2007	
SHEET		53 OF 66	

	1	2	3	4	5	6	7	8
A								A
B								B
C								C
D								D
E								E
F								F
	1	2	3	4	5	6	7	8

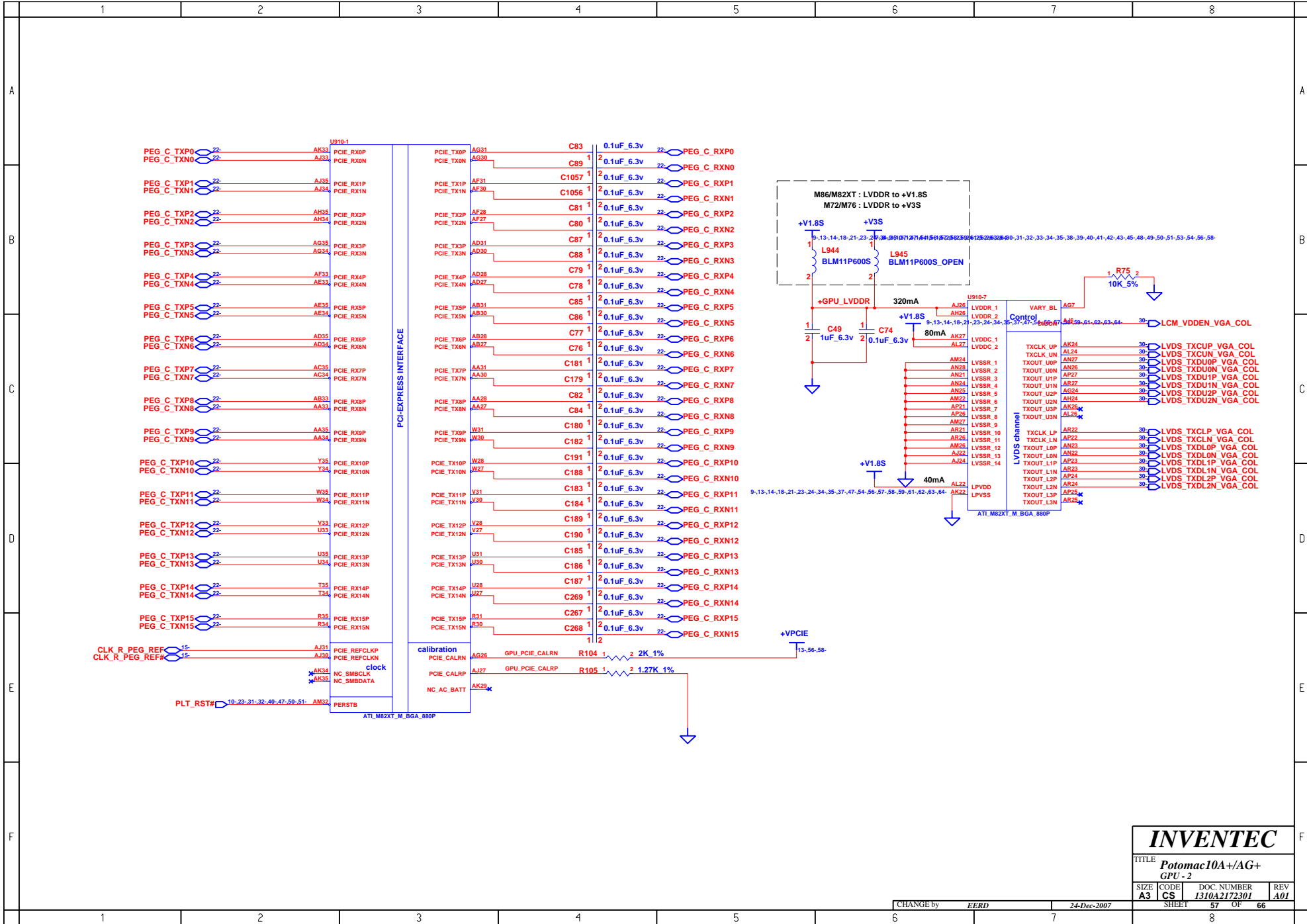


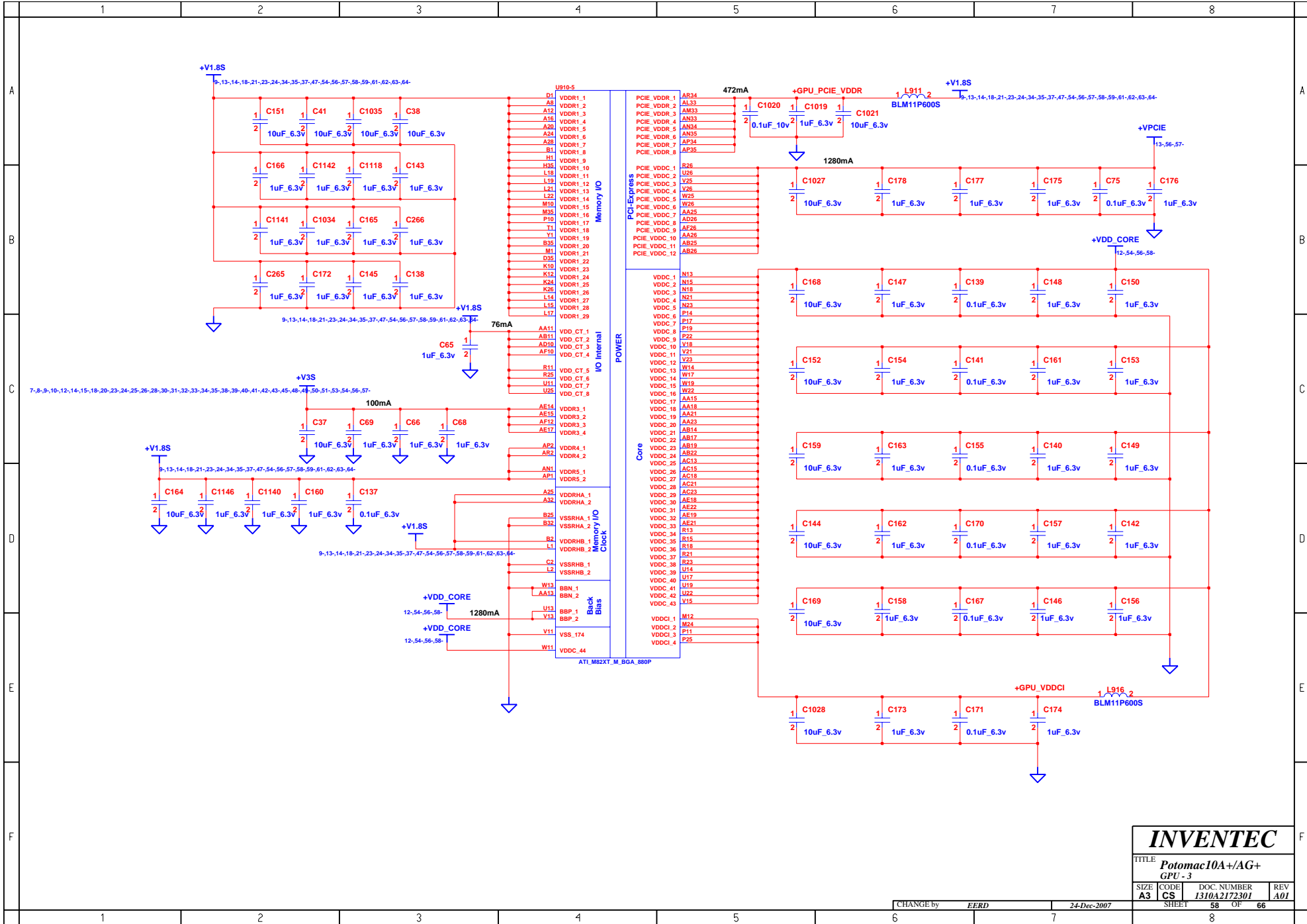
INVENTEC			
TITLE Potomac 10A+/AG+			
SIZE	CODE	DOC NUMBER	REV
A3	CS	FD0A3172300	A01
SHEET		54	OF 66

CHANGE by LEED 24-Dec-2007

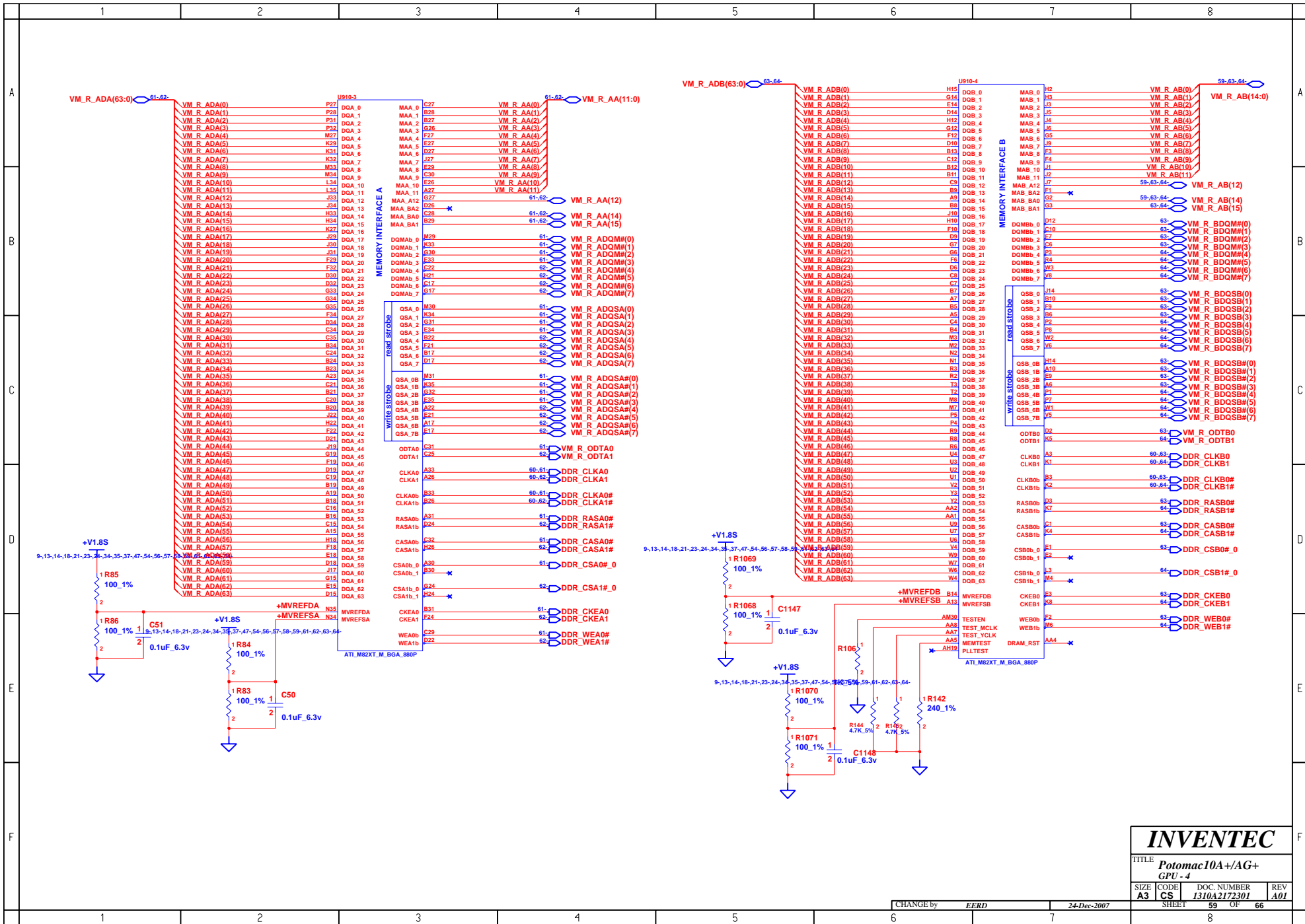


INVENTEC			
TITLE Potomac10A+/-AG+			
KILL & LID SWITCH & SCREW			
SIZE A3	CODE CS	DOC. NUMBER 1310A217301	REV A01
CHANGE by EERD		24-Dec-2007	
SHEET 55		OF 66	





INVENTEC			
TITLE Potomac10A+/AG+ GPU - 3			
SIZE A3	CODE CS	DOC. NUMBER 1310A2172301	REV A01
CHANGE by EERD		24-Dec-2007	
SHEET 58		OF 66	

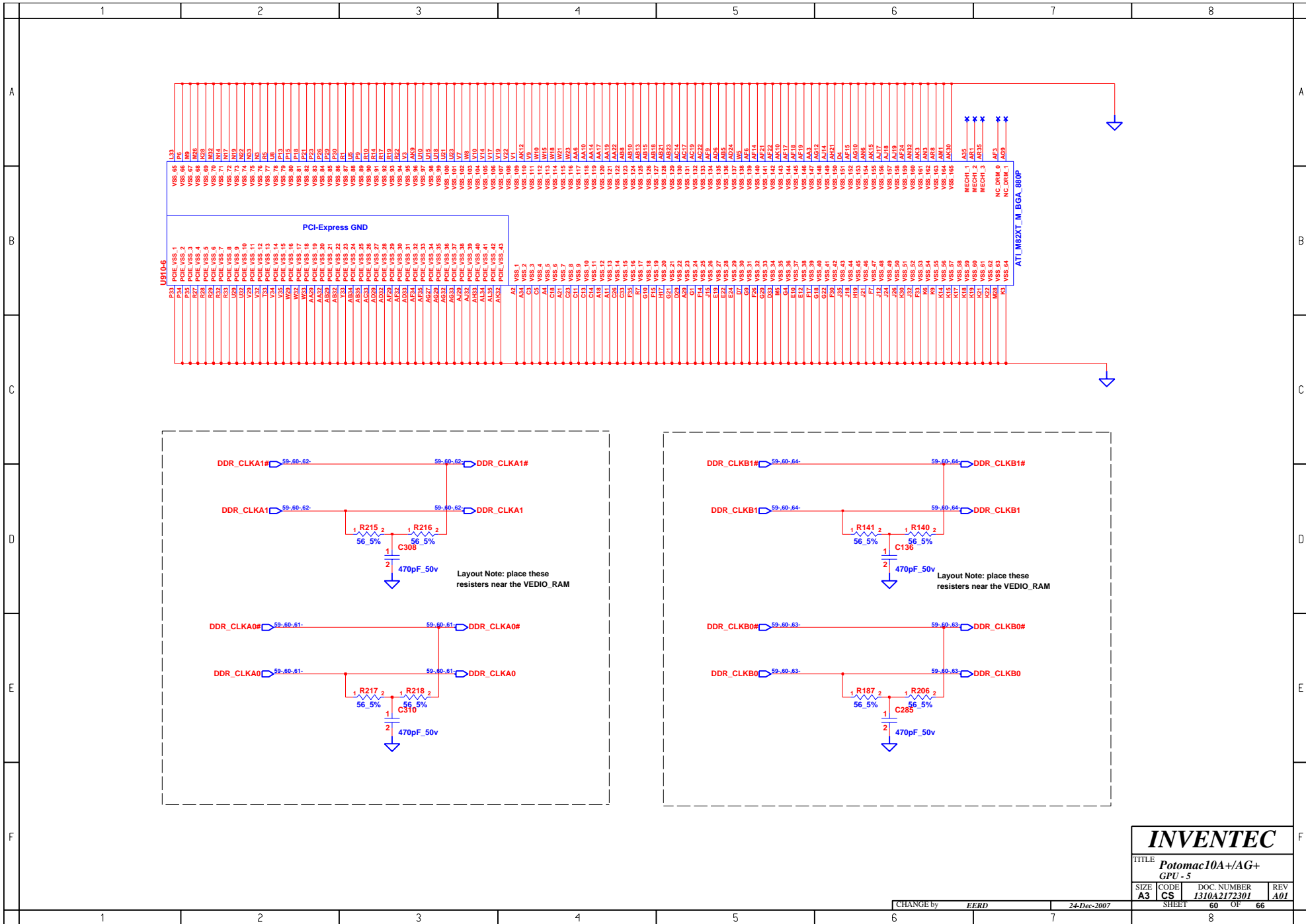


INVENTEC

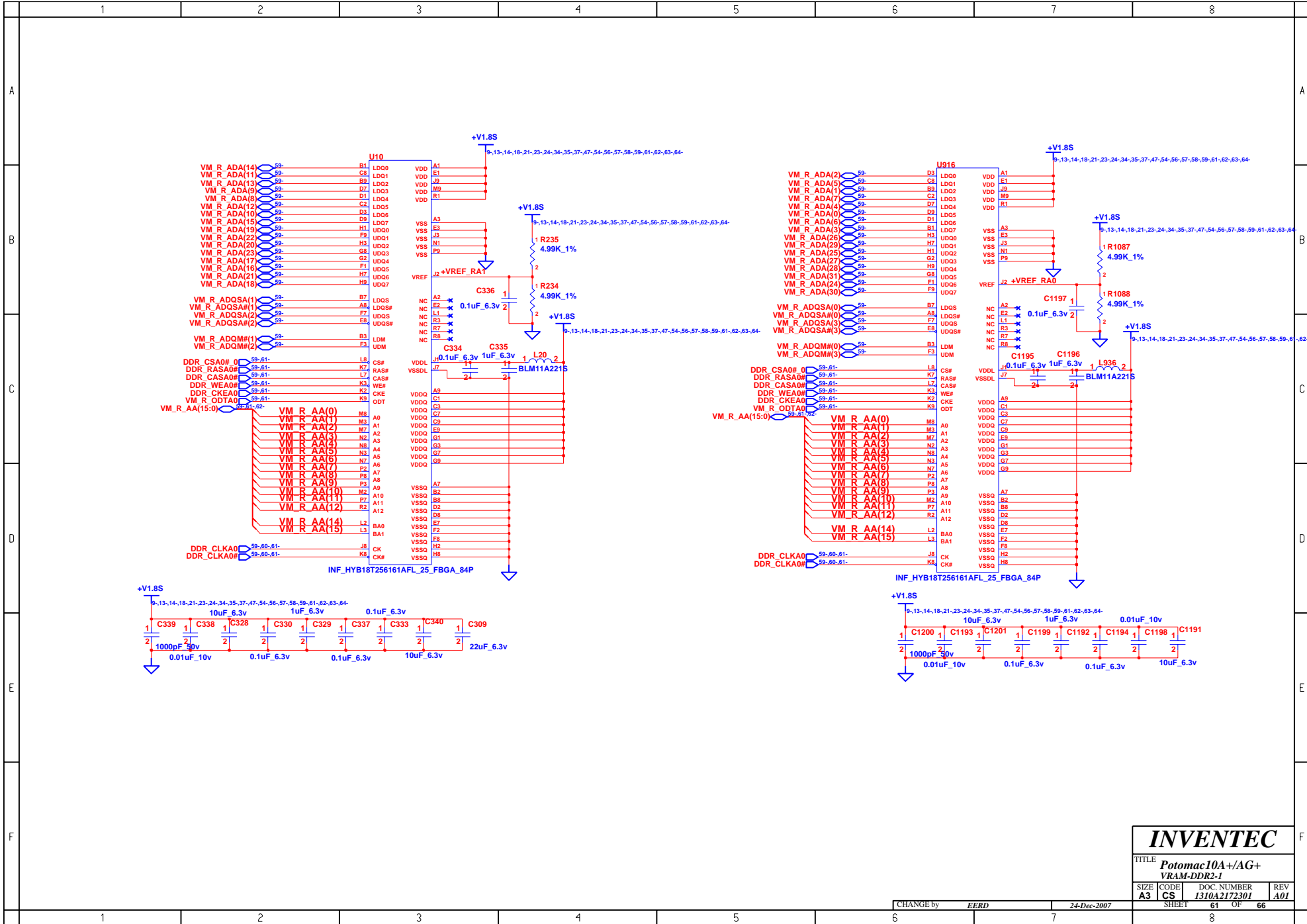
TITLE
Potomac10A+/AG+
GPU - 4

SIZE	CODE	DOC. NUMBER	REV
A3	CS	1310A217301	A01

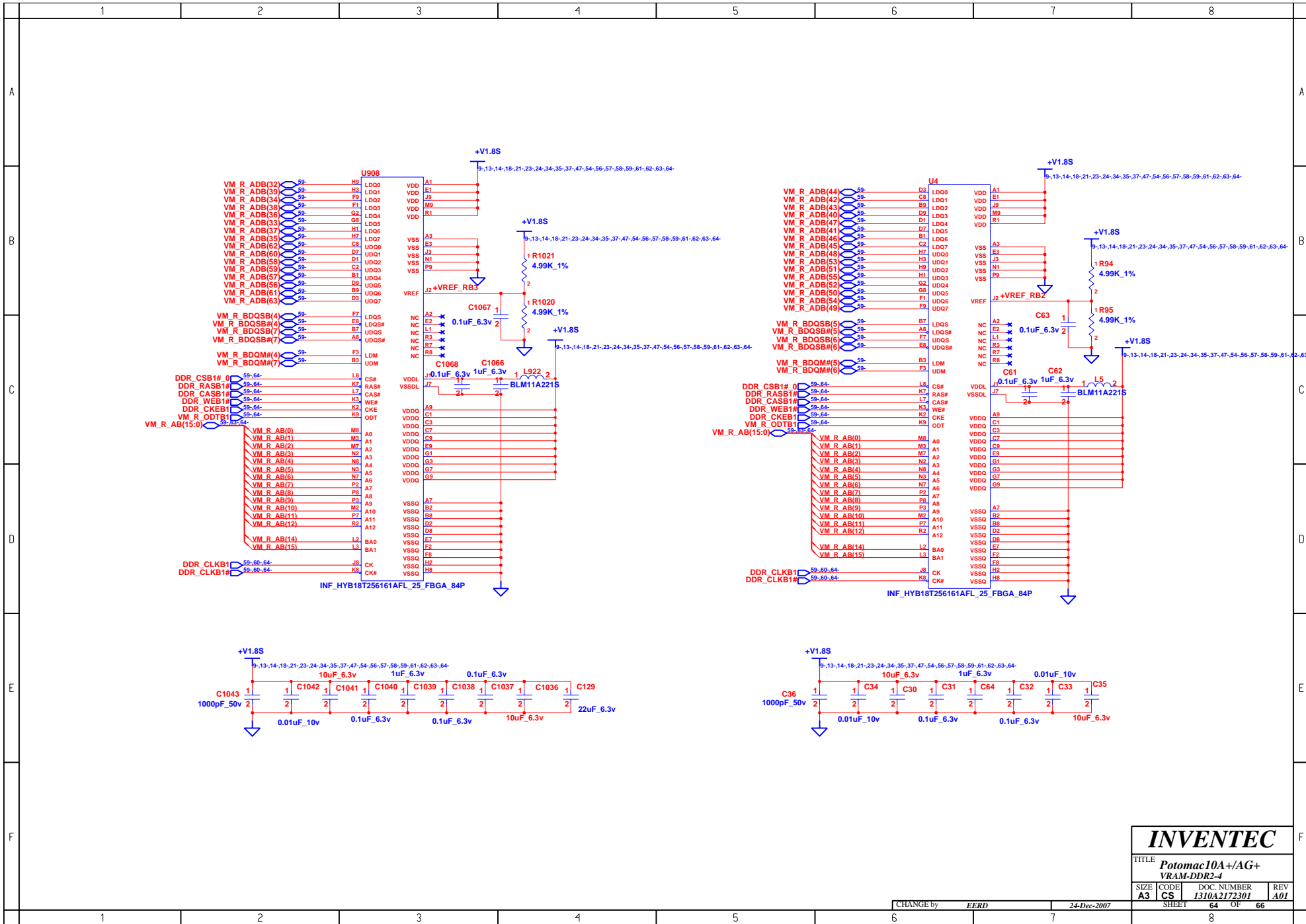
CHANGE by EERD 24-Dec-2007 SHEET 59 OF 66



INVENTEC			
TITLE Potomac10A+/AG+			
GPU - 5			
SIZE A3	CODE CS	DOC. NUMBER 1310A217301	REV A01
CHANGE by EERD		24-Dec-2007	
SHEET 60		OF 66	



INVENTEC			
TITLE Potomac10A+/AG+ VRAM-DDR2-1			
SIZE	CODE	DOC. NUMBER	REV
A3	CS	I310A217301	A01



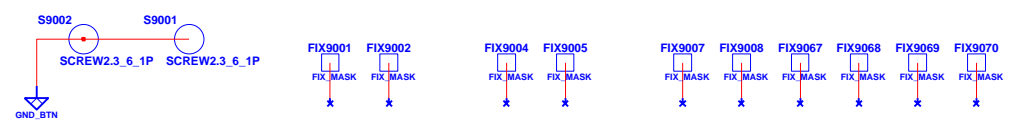
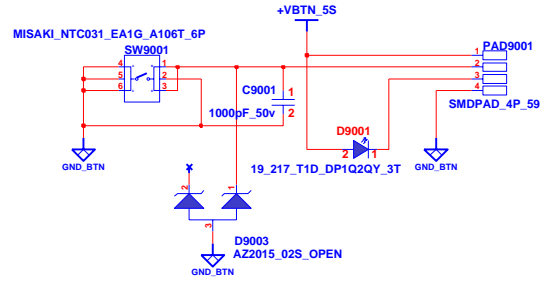
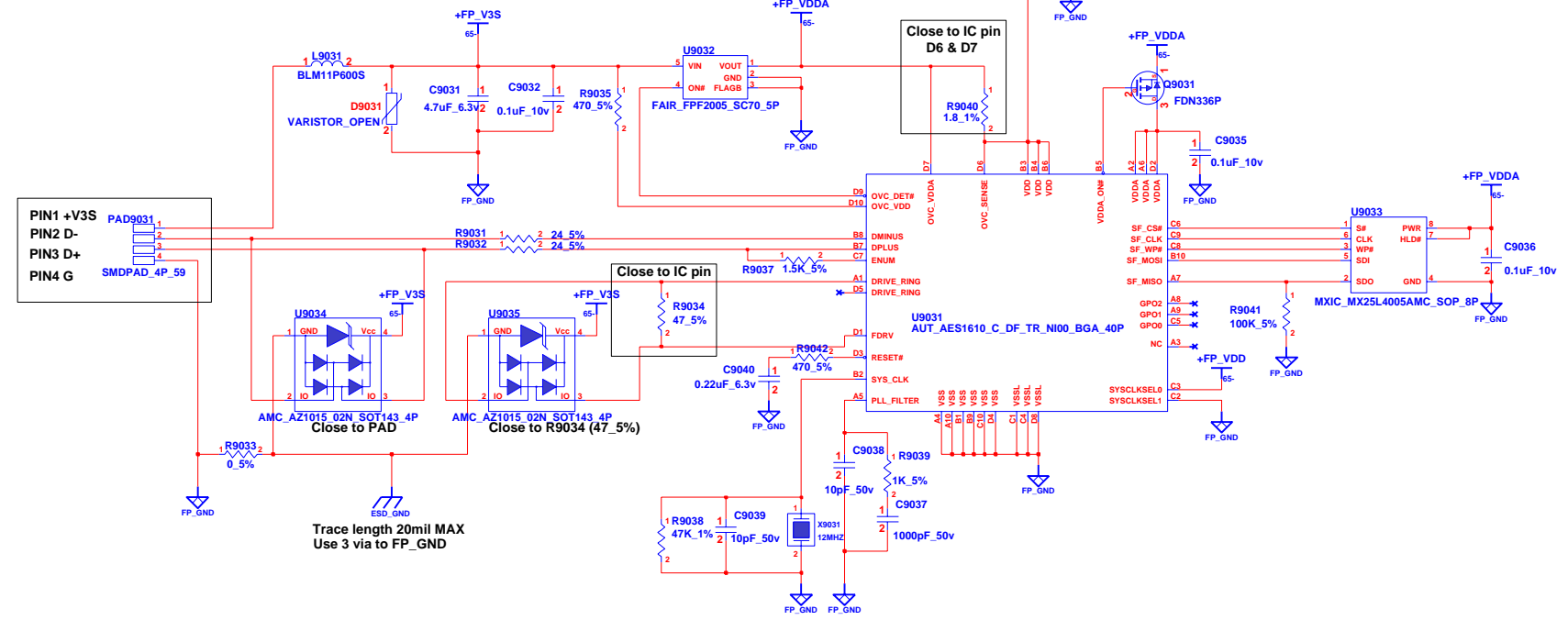
INVENTEC

TITLE
Potomac10A+/AG+
VRAM-DDR2-4

SIZE A3	CODE CS	DOC. NUMBER 1310A217301	REV A01
------------	------------	----------------------------	------------

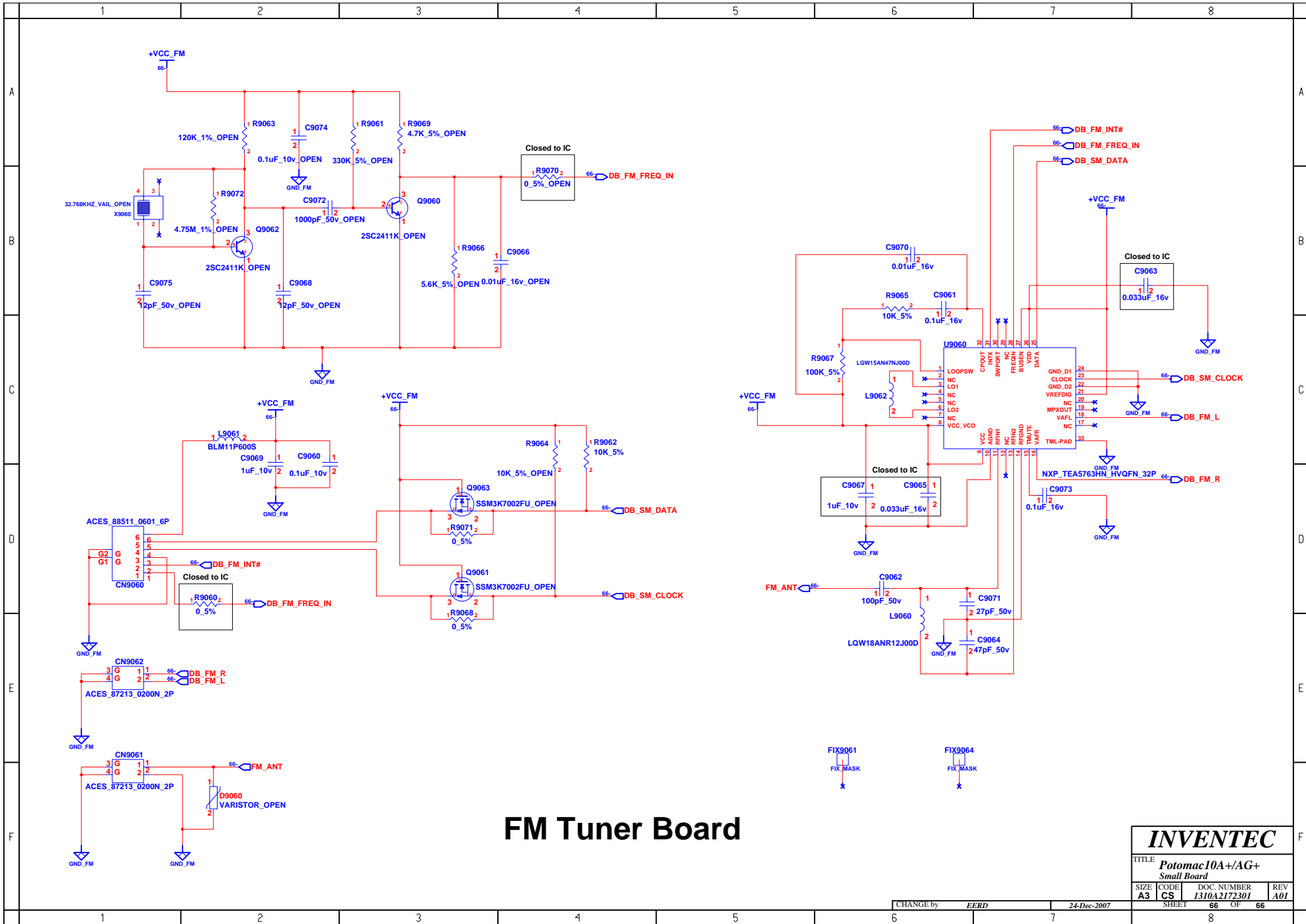
CHANGE by EERD 24-Dec-2007 SHEET 64 OF 66

Finger Print Reader DB



POWER BOARD

INVENTEC			
TITLE Potomac10A+ /AG+ Small Board			
SIZE A3	CODE CS	DOC. NUMBER 1310A217301	REV A01
CHANGE by EERD		24-Dec-2007	
SHEET 65		OF 66	



FM Tuner Board

INVENTEC

TITLE
Potomac10A+/AG+
Small Board

SIZE	CODE	DOC. NUMBER	REV
A3	CS	1310A217301	A01

CHANGE by EERD 24-Dec-2007

SHEET 66 OF 66